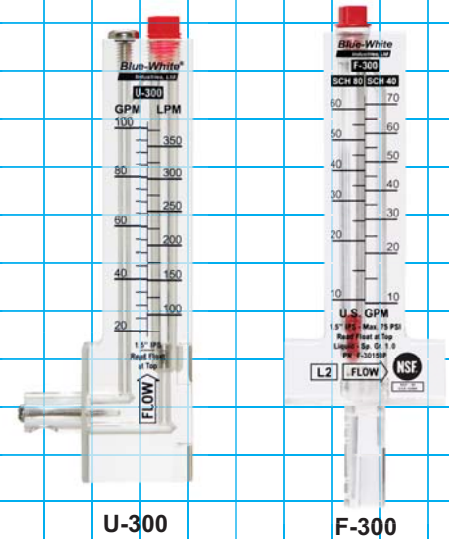


# F-300 U-300 D-300

## Clamp-on Insertion Mount



### Features:

- 1" through 8" pipe sizes.
- Flow rates from 4 to 1900 GPM (15 to 7200 LPM).
- Resistant PVDF internal float materials.
- One piece machined acrylic body.
- Mounts to existing pipe. No unions or adapters required.
- Models for mounting on horizontal or vertical pipe.
- Mounting clamps and gasket included.
- NSF Listed

### Specifications:

**Pipe Requirements:** IPS inch pipe size (ASTM-D-1785)  
**Max. Psi (bar):** .....75 PSI (5.2 bar) @ 70° F (21° C)  
**Fluid temp. range:** .....0° to 190° F / -18° to 88° C @ 0 PSI  
**Ambient temp. range:** .....0° to 110° F / -18° to 43° C  
*Note: Temperature & Pressure ratings of meter only. Actual pipe rating may vary.*

**Accuracy:**.....1", 1.25", 1.5" and 2" pipe size: 5% of rate  
 2.5", 3", 4", 6", and 8" pipe size: 10% of rate  
**Power requirement:** .....No power required  
**Enclosure:** .....NEMA 4X (IP56)  
**Approximate shipping wt:** .....1"-4" units: 1 lb. (.45 kg)  
 6"-8" units: 2 lb. (.91 kg)

### Materials of Construction:

**Meter Body:** .....Cast Acrylic  
**Float:** .....PVDF

**Gasket:**.....Neoprene  
**Pipe Clamp:** .....316 series Stainless Steel

### Installation Requirements:

#### Minimum Straight Pipe Length Requirements

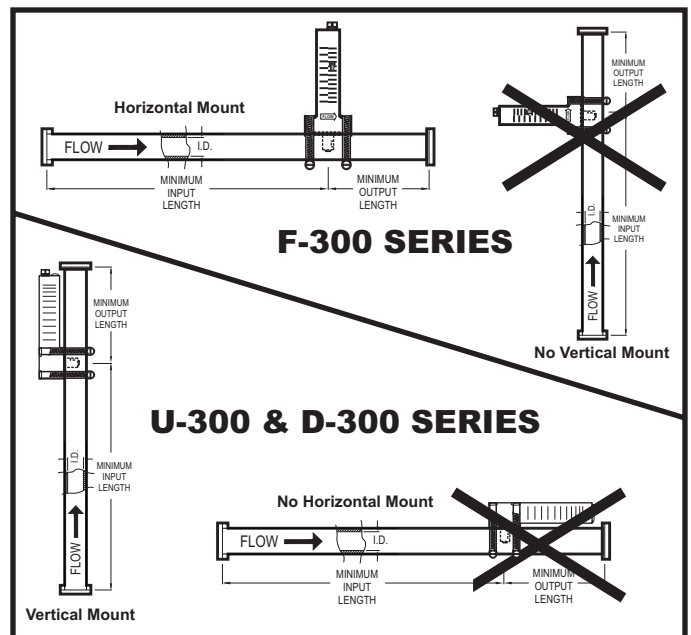
The meter's accuracy is affected by disturbances such as pumps, elbows, tees, valves, etc., in the flow stream. Install the meter in a straight run of pipe **as far as possible** from any disturbances.

#### Example of Minimum Straight Pipe Length Requirements

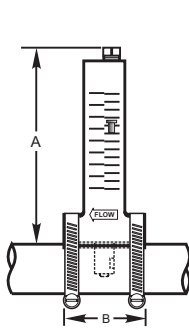
Nominal Pipe Diameter	Minimum Inlet Pipe Length	Minimum Outlet Pipe Length
4 inch	20 inch (5 X 4")	8 inch (2 X 4")
6 inch	30 inch (5 x 6")	12 inch (2 x 6")

#### Mounting location

- The meter is designed to withstand outdoor conditions.
- F series meters must be mounted at the vertical (twelve o'clock) position on horizontal pipe only.
- U & D series meters must be mounted on vertical pipe only.
- The pipe must be completely full of water at all times.
- See the minimum straight length of pipe requirement chart above.
- The meter can accurately measure flow from one direction only.
- U-series meters measure upward flows only.
- D-series meters measure downward flows only.

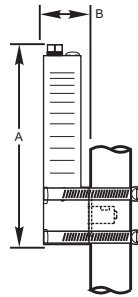


### Dimensions:



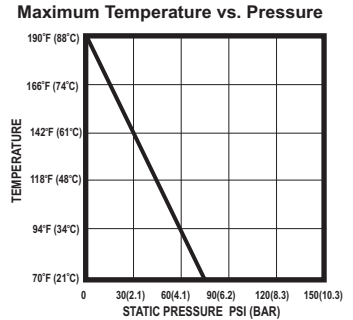
**F-300 Series**

Pipe Size	A	B
1"	6"	2-7/16"
1-1/4"	6"	2-7/16"
1-1/2"	6"	2-7/16"
2"	6"	2-7/16"
2-1/2"	6"	2-7/16"
3"	6"	2-7/16"
4"	6"	2-7/16"
6"	7-1/2"	2-7/16"
8"	7-1/2"	2-7/16"



**U/D-300 Series**

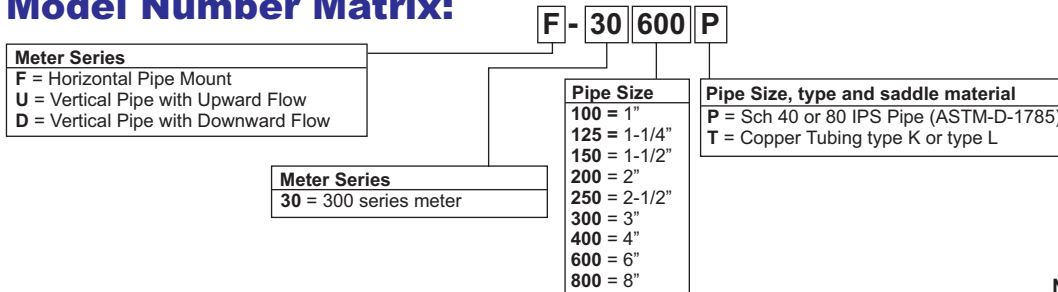
Pipe Size	A	B
1-1/2"	6"	1-9/16"
2"	6"	1-9/16"



### Flow Stream Requirements:

Low viscosity fluids with a specific gravity of 1.0.

### Model Number Matrix:



Note: see available models below.

### Pipe Size, Flow Range and Display Model Options:

#### Models for Mounting on Horizontal Pipe

##### Models for U.S. IPS Sch40 & 80 Pipe (ASTM 1785) Display in U.S. Gallons per Minute

Pipe Size	Sch40	Sch80	Model Number
1"	5 to 35	4 to 26	F-30100P
1-1/4"	9 to 50	8 to 40	F-30125P
1-1/2"	10 to 70	10 to 60	F-30150P
2"	20 to 120	18 to 100	F-30200P
2-1/2"	29 to 150	25 to 130	F-30250P
3"	45 to 240	40 to 215	F-30300P
4"	75 to 420	70 to 375	F-30400P
6"	170 to 1100	160 to 1000	F-30600P
8"	300 to 2200	275 to 1950	F-30800P

##### Models for Copper Tubing types K & L Display in U.S. Gallons and Liters per Minute

Pipe Size	GPM Flow Range	LPM Flow Range	Model Number
1"	4 to 26	15 to 100	F-30100T
1-1/2"	10 to 65	50 to 250	F-30150T
2"	20 to 105	75 to 400	F-30200T

#### Models for Mounting on Vertical Pipe

##### Models for U.S. IPS Sch40 Pipe (ASTM 1785) Display in U.S. Gallons and Liters per Minute

Pipe Size	GPM Flow Range	LPM Flow Range	Flow Direction	Model Number
1-1/2"	20 to 100	75 to 375	UP	U-30150P
1-1/2"	20 to 100	75 to 375	DOWN	D-30150P
1-1/2"	9 to 30	30 to 120	UP	U-30150PR
1-1/2"	9 to 30	30 to 120	DOWN	D-30150PR
2"	40 to 150	150 to 550	UP	U-30200P
2"	40 to 150	150 to 550	DOWN	D-30200P
2"	18 to 70	70 to 280	UP	U-30200PR
2"	18 to 70	70 to 280	DOWN	D-30200PR

##### Models for Copper Tubing types K & L Display in U.S. Gallons and Liters per Minute

Pipe Size	GPM Flow Range	LPM Flow Range	Flow Direction	Model Number
1-1/2"	20 to 100	75 to 375	UP	U-30150T
1-1/2"	20 to 100	75 to 375	DOWN	D-30150T
1-1/2"	9 to 30	30 to 120	UP	U-30150TR
1-1/2"	9 to 30	30 to 120	DOWN	D-30150TR
2"	40 to 150	150 to 550	UP	U-30200T
2"	40 to 150	150 to 550	DOWN	D-30200T
2"	18 to 70	70 to 280	UP	U-30200TR
2"	18 to 70	70 to 280	DOWN	D-30200TR