

# DATA SHEET

## 35 FRAME PLUNGER PUMP



**Forged  
Brass**

**Stainless  
Steel**

**Stainless  
Steel Flushed**

**Nickel Aluminum  
Bronze**

**Nickel Aluminum  
Bronze Flushed**

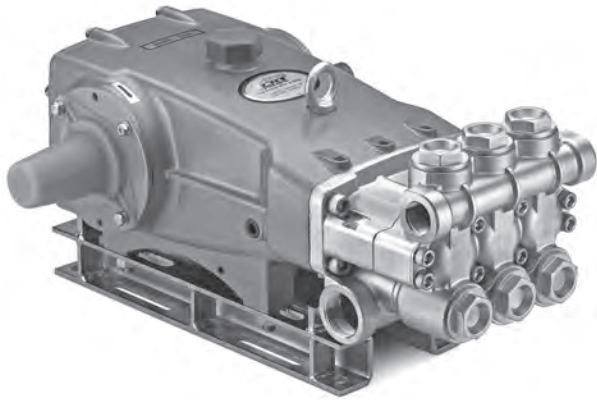
**3545**

**3541D**

**3541C**

**3547**

**3547C**



Model 3545 Shown  
(Shaft protector included, mounting rails  
sold separately)

### SPECIFICATIONS

	U.S. Measure	Metric Measure
Flow	45 gpm	170 lpm
Pressure Range	100 to 1000 psi	6.9 to 69 bar
Pump RPM*	765 rpm	765 rpm
Inlet Pressure Range	Flooded to 70 psi	Flooded to 4.8 bar
Max. Liquid Temp. (NBR)	140° F	60° C

Alternative seals available for high temp up to 180° F

Bore	1.772"	45 mm
Stroke	1.890"	48 mm
Crankcase Capacity	4.2 Qts.	4 l
Inlet Ports (2)	1-1/2" NPT(F)	1-1/2" NPT(F)
Flush Ports (2) (C - only)	1/4" NPT(F)	1/4" NPT(F)
Discharge Ports (2)	1" NPT(F)	1" NPT(F)
Shaft Diameter	1.378"	35 mm
Pulley Mounting	Either Side	Either Side
Weight	139 lbs.	63 kg
Dimensions (3545)	23.86 x 18.11 x 9.72"	606 x 460 x 247 mm
Dimensions (3541D/C, 3547/C)	24.33 x 18.11 x 9.72"	618 x 460 x 247 mm

\*Pump minimum is 100 RPM.

### FEATURES

- Triplex design delivers high efficiency and low pulsation.
- Durable dual V-Packings are lubricated and cooled by pumped liquid.
- Pre-set Lo-Pressure Seals provide secondary protection against external leaks and require no packing adjustments.
- Special flushed inlet manifold on models 3541C and 3547C permits external flush for added cooling with high temperature liquids and lubrication with low lubricity liquids.
- Standard NBR seals with alternative options for temperature and chemical compatibility.

### ALTERNATIVE SEAL CONFIGURATION

MATERIAL	SUFFIX CODE	MAXIMUM TEMPERATURE	
NBR	—	140° F	(60° C)
FPM	.0110	160° F	(71° C)
EPDM	.0220	160° F	(71° C)
STHT	.3400	180° F	(82° C)

See Reference Document 99REF017 for inlet conditions and RPM at high temperature.

<b>DETERMINING THE PUMP R.P.M.</b>	Rated gpm	=	"Desired" gpm
	Rated rpm	=	"Desired" rpm
<b>DETERMINING THE REQUIRED H.P.</b>	Hp (Electric Brake)	=	$\frac{\text{gpm} \times \text{psi}}{1460}$
<b>DETERMINING MOTOR PULLEY SIZE</b>	$\frac{\text{Motor Pulley O.D.}}{\text{Pump rpm}}$	=	$\frac{\text{Pump Pulley O.D.}}{\text{Motor rpm}}$

Refer to pump **Service Manual** for repair procedure and additional technical information.

# PARTS LIST

ITEM	PART NUMBER	MATL	PART NUMBER	MATL	PART NUMBER	MATL	DESCRIPTION	QTY
	<b>3545</b>		<b>3541D</b>		<b>3547</b>			
			<b>3541C</b>		<b>3547C</b>			
5	96049	S	96049	S	96049	S	Screw, HH Sems (M10x25) (See Tech Bulletin 125) [06/18]	8
8	134604	ALE	134604	ALE	134604	ALE	Cover, Bearing (See Tech Bulletin 118, 125) [06/18]	2
9	815279	FBR	815279	FBR	815279	FBR	Shim, Split 2-PC (See Tech Bulletin 125) [06/18]	2
10	12398	NBR	12398	NBR	12398	NBR	O-Ring, Bearing Cover - 70D	2
11	13296	NBR	13296	NBR	13296	NBR	Seal, Oil, Crankshaft	2
15	29326	STL	29326	STL	29326	STL	Bearing, Roller	2
20	121467	TNM	121467	TNM	121467	TNM	Rod, Connecting Assembly (Incls: 21, 22, 23) [10/00]	3
21	126749	STCP R	126749	STCP R	126749	STCP R	Washer, Locking (M10)	6
22	126593	STCP R	126593	STCP R	126593	STCP R	Washer, Flat (M10)	6
23	122045	STZP	122045	STZP	122045	STZP	Screw, HH (M10x55)	3
25	29325	FCM	29325	FCM	29325	FCM	Crankshaft, Dual End	1
31	828710	PE	828710	PE	828710	PE	Protector, Cap w/Foam Gasket	1
32	43211	ABS	43211	ABS	43211	ABS	Cap, Oil Filler	1
33	14177	NBR	14177	NBR	14177	NBR	O-Ring, Oil Filler Cap - 70D	1
34	126743	STCP R	126743	STCP R	126743	STCP R	Bolt, Eye (M12x1.75) (For Lifting Pump Only)	1
37	92241	—	92241	—	92241	—	Gauge, Oil, Bubble w/Gasket	1
38	44428	NBR	44428	NBR	44428	NBR	Gasket, Flat, Oil Gauge - 80D	1
40	125753	S	125753	S	125753	S	Screw, HH Sems (M8x25)	8
48	25625	STCP	25625	STCP	25625	STCP	Plug, Drain (1/4"x19 BSP)	1
49	23170	NBR	23170	NBR	23170	NBR	O-Ring, Drain Plug - 70D	1
50	45936	ALE	45936	ALE	45936	ALE	Cover, Rear (See Tech Bulletin 118)	1
51	16612	NBR	16612	NBR	16612	NBR	O-Ring, Crankcase Cover - 70D	1
53	134784	ALE	134784	ALE	134784	ALE	Crankcase Assy (Incls: 34, 54) (See Tech Bulletin 118, 125, 127) [06/18]	1
54	27488	S	27488	S	27488	S	Pin, Guide	2
56	27790	POP	27790	POP	27790	POP	Pan, Oil	1
59	92538	S	92538	S	92538	S	Screw, HHC Sems (M6x16)	2
64	43864	CM	43864	CM	43864	CM	Pin, Crosshead	3
65	† 45116	SSZZ	45116	SSZZ	† 45116	SSZZ	Rod, Plunger	3
69	126587	STCP R	126587	STCP R	126587	STCP R	Washer, Oil Seal	3
70	100488	NBRS	100488	NBRS	100488	NBRS	Seal, Oil, Crankcase	3
75	43865	S	43865	S	43865	S	Slinger, Barrier	3
88	45676	S	45676	S	45676	S	Washer, Keyhole (M16)	3
90	46806	CC	46806	CC	46806	CC	Plunger (M45x145)	3
95	† 89778	SS	† 89778	SS	† 89778	SS	Stud, Plunger Retainer (M10x135)	3
96	20189	PTFE	20189	PTFE	20189	PTFE	Back-up-Ring, Plunger Retainer	3
97	11345	NBR	11345	NBR	11345	NBR	O-Ring, Plunger Retainer - 70D	3
98	44085	SS	44085	SS	44085	SS	Gasket, Retainer	3
99	† 44084	SS	† 44084	SS	† 44084	SS	Retainer, Plunger (M10)	3
100	44119	PPG	44119	PPG	44119	PPG	Retainer, Seal (See Tech Bulletin 105)	3
106	<b>46809</b>	NBR	—	—	—	—	Seal, LPS w/S-Spg	3
	—	—	<b>48384</b>	NBR	<b>48384</b>	NBR	Seal, LPS w/SS-Spg	3
107	<b>46811</b>	BB	<b>48380</b>	D	<b>48380</b>	D	Spacer, LPS	3
110	<b>49482</b>	BBCP R	<b>48375</b>	SS	<b>49994</b>	NAB	Manifold, Inlet	1
	—	—	<b>49304</b>	SS	<b>49308</b>	NAB	Manifold, Inlet, Flushed (1/4" Flush Port)	1
112	18688	NBR	18688	NBR	18688	NBR	O-Ring, Inlet Manifold - 70D	3
117	44585	S	44585	S	44585	S	Screw, HSH (M14x40)	4
126	<b>46812</b>	BB	<b>48383</b>	D	<b>48383</b>	D	Adapter, Female	3
127	46813	STGS	46813	STGS	46813	STGS	V-Packing	6
128	<b>46814</b>	BB	<b>48386</b>	SS	<b>49319</b>	NAB	Adapter, Male	3
141	49483	SS	49483	SS	49483	SS	Spring, Coil, Large (See Tech Bulletin 107)	3
155	17784	NBR	17784	NBR	17784	NBR	O-Ring, V-Packing Spacer - 80D	3
157	<b>49484</b>	BB	<b>49506</b>	SS	<b>49507</b>	NAB	Spacer, V-Packing (See Tech Bulletin 107)	3
159	17784	NBR	17784	NBR	17784	NBR	O-Ring, V-Packing Spacer - 80D	3
163	26143	NBR	26143	NBR	26143	NBR	O-Ring, Seat - 80D	6
164	<b>46822</b>	S	<b>48393</b>	SS	<b>48393</b>	SS	Seat	6
166	<b>43932</b>	S	<b>44108</b>	SS	<b>44108</b>	SS	Valve	6
167	44109	SS	44109	SS	44109	SS	Spring, Valve	6
168	44728	PVDF	44728	PVDF	44728	PVDF	Retainer, Spring	6
170	44729	SS	44729	SS	44729	SS	Washer, Spring Retainer	6
171	44644	SS	44644	SS	44644	SS	Coil Spring (70kg), Valve Plug	6
172	89827	NBR	89827	NBR	89827	NBR	O-Ring, Valve Plug - 90D	6
173	48364	D	48364	D	48364	D	Back-up-Ring, Valve Plug	6
174	<b>46444</b>	FBB	<b>49300</b>	SSD	<b>44643</b>	NAB	Plug, Valve	6
185	<b>49486</b>	BBCP R	<b>49302</b>	SSD	<b>49309</b>	NAB	Manifold, Discharge	1
188	89981	S	89981	S	89981	S	Screw, HSH (M12x70)	8
250	855042	NY	855042	NY	855042	NY	Protector, Shaft w/2 Screws. Lockwashers and Washers	1

**Bold print part numbers are unique to a particular pump model.** *Italics are optional items.* [ ] Date of latest production change.

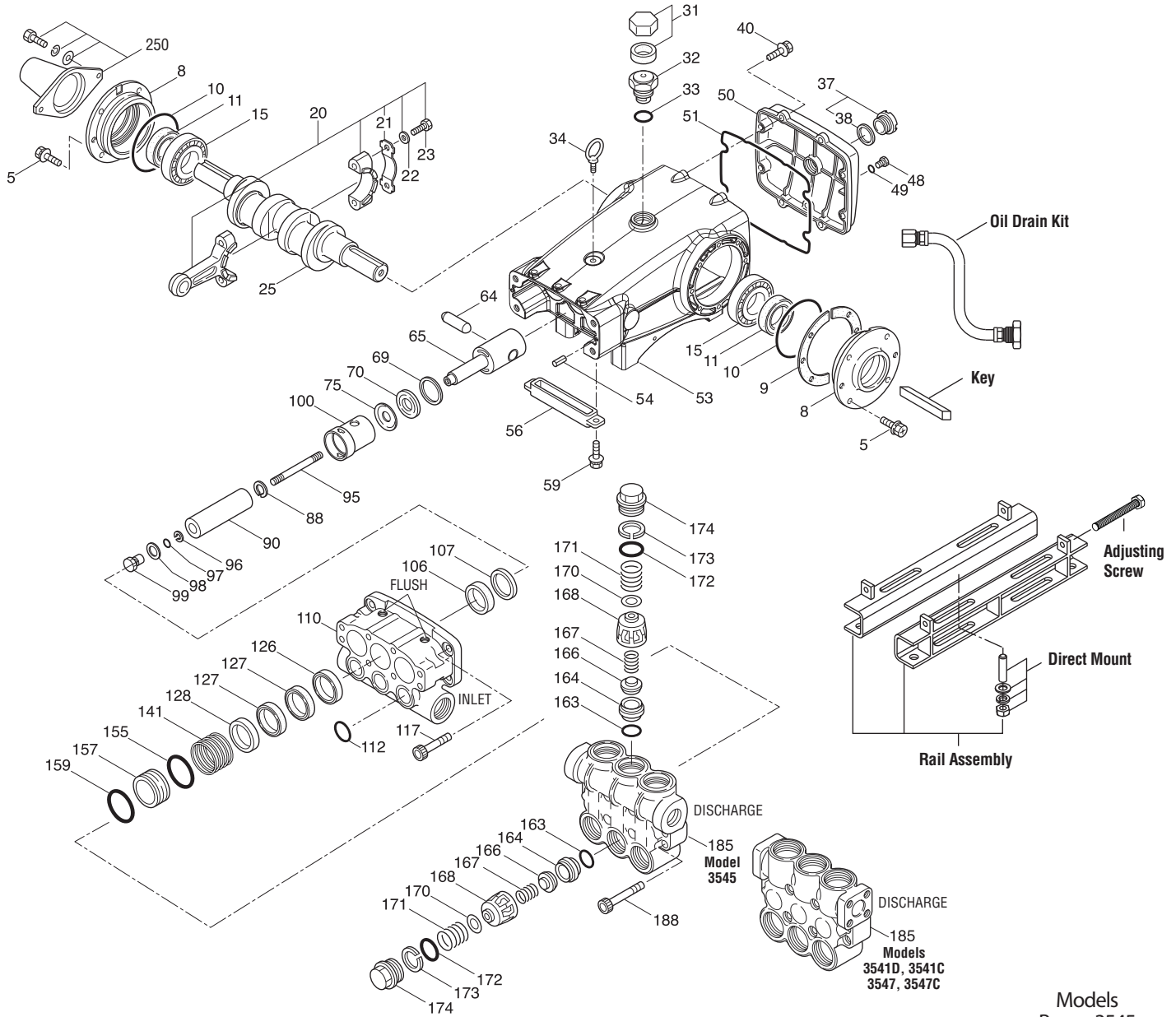
† Production parts are different than repair parts. R Components comply with RoHS Directive. \* Review individual parts in each kit for material code identification.

See Tech Bulletins 024, 036, 041, 043, 053, 074, 083, 099, 105, 107, 109, 118, 125, and 127 for additional information. MATERIAL CODES (Not Part of Part Number):

ABS=ABS Plastic AL=Aluminum Epoxy BB=Brass BBCP=Brass/Chrome Plated CC=Ceramic CM=Chrome-Moly D=Acetal EPDM=Ethylene Propylene Diene Monomer F=Cast Iron  
 FBB=Forged Brass FBR=Fiber FCM=Forged Chrome-moly FPM=Fluorocarbon NAB=Nickle Aluminum Bronze NBR=Medium Nitrile (Buna-N) NBRS=Buna, Silicone Free NY=Nylon  
 PE=Polyethylene PPG=Glass Filled Polypropylene PTFE=Pure Polytetrafluoroethylene PVDF=Polyvinylidene Fluoride S=304SS SS=316SS SFTB=Special Blend PTFE Black  
 SSZZ=316SS/Zamak STGS=Special Blend PTFE White Silicon Free STL=Steel STCP=Steel/Chrome Plated STZP=Steel/Zinc Plated TNM=Special High Strength

**Standard and optional Seal Kits and Valve Kits listed on pages 3 and 4. Optional Parts and Accessories and Service parts listed on Page 3.**

# EXPLODED VIEW



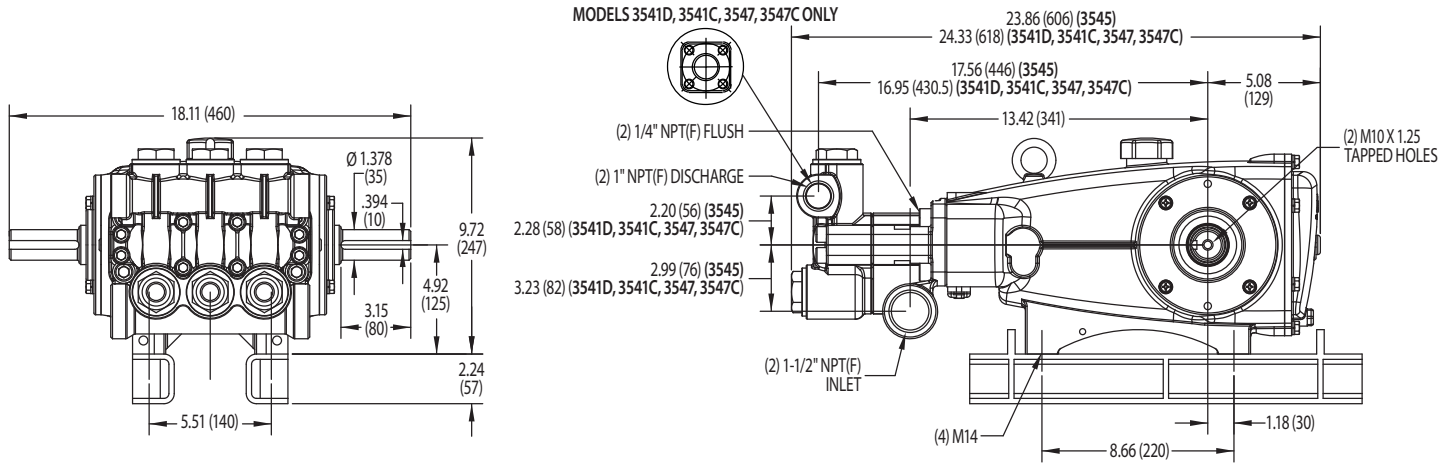
Models  
 Brass - 3545  
 Stainless Steel - 3541D  
 SS Flushed - 3541C  
 NAB - 3547  
 NAB Flushed - 3547C  
 May 2019

## OPTIONAL PARTS AND ACCESSORIES

PART	DESCRIPTION	QTY
33234	Kit, Seal (3545) - Standard	1
33834	Kit, Seal (3541D,3541C,3547,3547C) - Standard	1
33235	Kit, Valve (3545) - Standard	2
33835	Kit, Valve (3541D,3541C,3547,3547C) - Standard	2
92674	Mount, Rail Assembly	1
34018	Mount, Direct (STZP R)	1
34039	Mount, Direct (S)	1
990013	Hub, "B", 35 mm (STL)	1
80540	Screwing, Adjusting M12 x 100	1
34314	Kit, Oil Drain	1
30696	Plier, Reverse	1

## SERVICE PARTS

PART	DESCRIPTION	QTY
6100	Oil, Case (12 - 21 oz. bottle)	1
34021	Key, M10 x 8 x 70	1
6119	Lubricant, Anti-Seize (2 oz) (3541D, 3541C)	1
6124	Gasket, Liquid (3 oz)	1
818428	Head, Complete - 3545 w/NBR Seals and O-Rings	1
818371	Head, Complete - 3541D w/NBR Seals and O-Rings	1
818575	Head, Complete - 3547 w/NBR Seals and O-Rings	1
818376	Head, Complete - 3547C w/NBR Seals and O-Rings	1
819000	Assy, Crankcase, Cast Iron Conversion	1



## SEAL KITS One (1) seal kit required per pump

PUMP MODELS	NBR (STD)	FPM (.0110)	EPDM (.0220)◆
3545	33234 *	31261	33223 *
3541D, 3541C, 3547, 3547C	33834 *	31261	33223 *

ITEM (Included in Seal Kits)	DESCRIPTION			QTY	
97	11345	11375	701490	O-Ring, Plunger Retainer	3
106	46809	48384	46945	Seal, LPS w/SS-Spg	3
112	18688	11739	701659	O-Ring, Inlet Manifold	3
127	46813	46813	46813	V-Packing	6
155	17784	20138	701658	Backup-Ring, V-Packing Cylinder	3
159	17784	20138	701658	O-Ring, V-Packing Cylinder	3

◆ Silicone oil/grease required \*Review material codes for individual items (STG generally by be used as alternative)

## VALVE KITS Two (2) valve kits required per pump

PUMP MODELS	NBR (STD)	FPM (.0110)	EPDM (.0220)◆
3545	33235	31262	31235
3541D, 3541C, 3547, 3547C	33835	31262	31264

ITEM (Included in Valve Kits)	DESCRIPTION			QTY	
163	26143	14331	701660	O-Ring, Valve Seat	3
164	46822			Seat (3545)	3
		48393	48393	Seat (3541D,3541C,3547,3547C)	3
166	43932			Valve (3545)	3
		44108	44108	Valve (3541D,3541C,3547,3547C)	3
167	44109	44109	44109	Spring	3
168	44728	44728	44728	Retainer, Spring	3
170	44729	44729	44729	Washer, Spring Retainer	3
172	89827	11747	701494	O-Ring, Valve Plug	3
173	48364	48364	48364	Backup-Ring, Valve Plug	3

◆ Silicone oil/grease required

### ⚠ CAUTIONS AND WARNINGS

All High Pressure Systems require a primary pressure regulating device (i.e. regulator, unloader) and a secondary pressure relief device (i.e. pop-off valve, relief valve). Failure to install such relief devices could result in personal injury or damage to pump or property. Cat Pumps does not assume any liability or responsibility for the operation of a customer's high pressure system.

Read all CAUTIONS and WARNINGS before commencing service or operation of any high pressure system. The CAUTIONS and WARNINGS are included in each service manual and with each Accessory Data sheet. CAUTIONS and WARNINGS can also be viewed online at [www.catpumps.com/cautions-warnings](http://www.catpumps.com/cautions-warnings) or can be requested directly from Cat Pumps.

### WARRANTY

View the Limited Warranty on-line at [www.catpumps.com/warranty](http://www.catpumps.com/warranty).