



Model 3801 Shown
(Mounting rails sold separately)

38 Frame Block-Style Stainless Steel Plunger Pump

**Standard
Models**

3801, 3811

**Flushed
Models**

3801K, 3811K

FEATURES

- Triplex design delivers high efficiency and low pulsation.
- Durable dual V-Packings are lubricated and cooled by pumped liquid.
- Pre-set Lo-Pressure seals provide secondary protection against external leaks and require no packing adjustments.
- Special high-density, polished, concentric plungers provide a true wear surface and extended seal life.
- Specially formulated Seals and V-Packings offer unmatched performance and extended life.
- Interchangeable inlet and discharge valves for easy servicing.
- Wet-end easily serviced without entering crankcase.

COMMON SPECIFICATIONS

| | | |
|--|----------------------------|----------------------|
| Inlet Pressure* |Flooded to 70 psi | (Flooded to 4.9 bar) |
| Stroke |1.890" | (48 mm) |
| Crankcase Capacity |4.2 Qts. | (4 l) |
| Maximum Liquid Temperature |160°F | (71°C) |
| Above 130°F call Cat Pumps for inlet conditions and elastomer recommendations. | | |
| Inlet Ports (2) |1-1/2" NPTF | (1-1/2" NPTF) |
| Flushing Ports (2)* |1/2" NPTF | (1/2" NPTF) |
| Discharge Ports (2) |1" NPTF | (1" NPTF) |
| Pulley Mounting |Either Side | (Either Side) |
| Shaft Diameter |1.378" | (35 mm) |
| Weight |170 lbs. | (77 kg) |
| Dimensions |24.72 x 18.11 x 9.37" | (628 x 460 x 238 mm) |

* K Models: Special Flushed Inlet Manifold permits external flush for added cooling with high temperature liquids and lubrication with low lubricity liquids.

⚠ CAUTIONS AND WARNINGS

All High Pressure Systems require a primary pressure regulating device (i.e. regulator, unloader) and a secondary pressure relief device (i.e. pop-off valve, relief valve). Failure to install such relief devices could result in personal injury or damage to pump or property. CAT PUMPS does not assume any liability or responsibility for the operation of a customer's high pressure system.

Read all CAUTIONS and WARNINGS before commencing service or operation of any high pressure system. The CAUTIONS and WARNINGS are included in each service manual and with each Accessory Data sheet. CAUTIONS and WARNINGS can also be viewed online at www.catpumps.com/cautions-warnings or can be requested directly from CAT PUMPS.

WARRANTY

View the Limited Warranty on-line at www.catpumps.com/warranty.

SPECIFICATIONS

U.S. Measure

Metric Measure

MODEL 3801, 3801K

| | | |
|----------------|----------------------|----------------|
| Flow |10.0 gpm | (38 lpm) |
| Pressure Range |100 to 5000 psi | (7 to 345 bar) |
| RPM |915 rpm | (915 rpm) |
| Bore |0.787" | (20 mm) |

MODEL 3811, 3811K

| | | |
|----------------|----------------------|----------------|
| Flow |14 gpm | (53 lpm) |
| Pressure Range |100 to 3000 psi | (7 to 210 bar) |
| RPM |800 rpm | (800 rpm) |
| Bore |0.984" | (25 mm) |

ELECTRIC HORSEPOWER REQUIREMENTS

| MODEL | FLOW | | PRESSURE | | | | | | RPM |
|-----------------------|------|------|----------|------|------|------|------|------|-----|
| | | | psi | psi | psi | psi | psi | psi | |
| | | | 2000 | 2500 | 3000 | 4000 | 4500 | 5000 | |
| | U.S. | | bar | bar | bar | bar | bar | bar | |
| | gpm | lpm | 140 | 175 | 210 | 275 | 310 | 345 | |
| 3801 3801K | 10.0 | 38.0 | N/A | N/A | N/A | 27.4 | 30.8 | 34.2 | 915 |
| | 9.0 | 34.0 | N/A | N/A | N/A | 24.7 | 27.8 | 30.9 | 824 |
| | 8.0 | 30.0 | N/A | N/A | N/A | 22.0 | 24.7 | 27.5 | 732 |
| 3811 3811K | 14.0 | 53.0 | 19.2 | 24.0 | 28.8 | N/A | N/A | N/A | 800 |
| | 12.0 | 45.0 | 16.5 | 20.6 | 24.7 | N/A | N/A | N/A | 685 |
| | 10.0 | 38.0 | 13.7 | 17.2 | 20.6 | N/A | N/A | N/A | 571 |

**DETERMINING
THE PUMP R.P.M.**

Rated gpm

= "Desired" gpm

Rated rpm

"Desired" rpm

**DETERMINING
THE REQUIRED H.P.**

gpm x psi

= Electric Brake

1460

H. P. Required

**DETERMINING
MOTOR PULLEY SIZE**

Motor Pulley O.D.

= Pump Pulley O.D.

Pump rpm

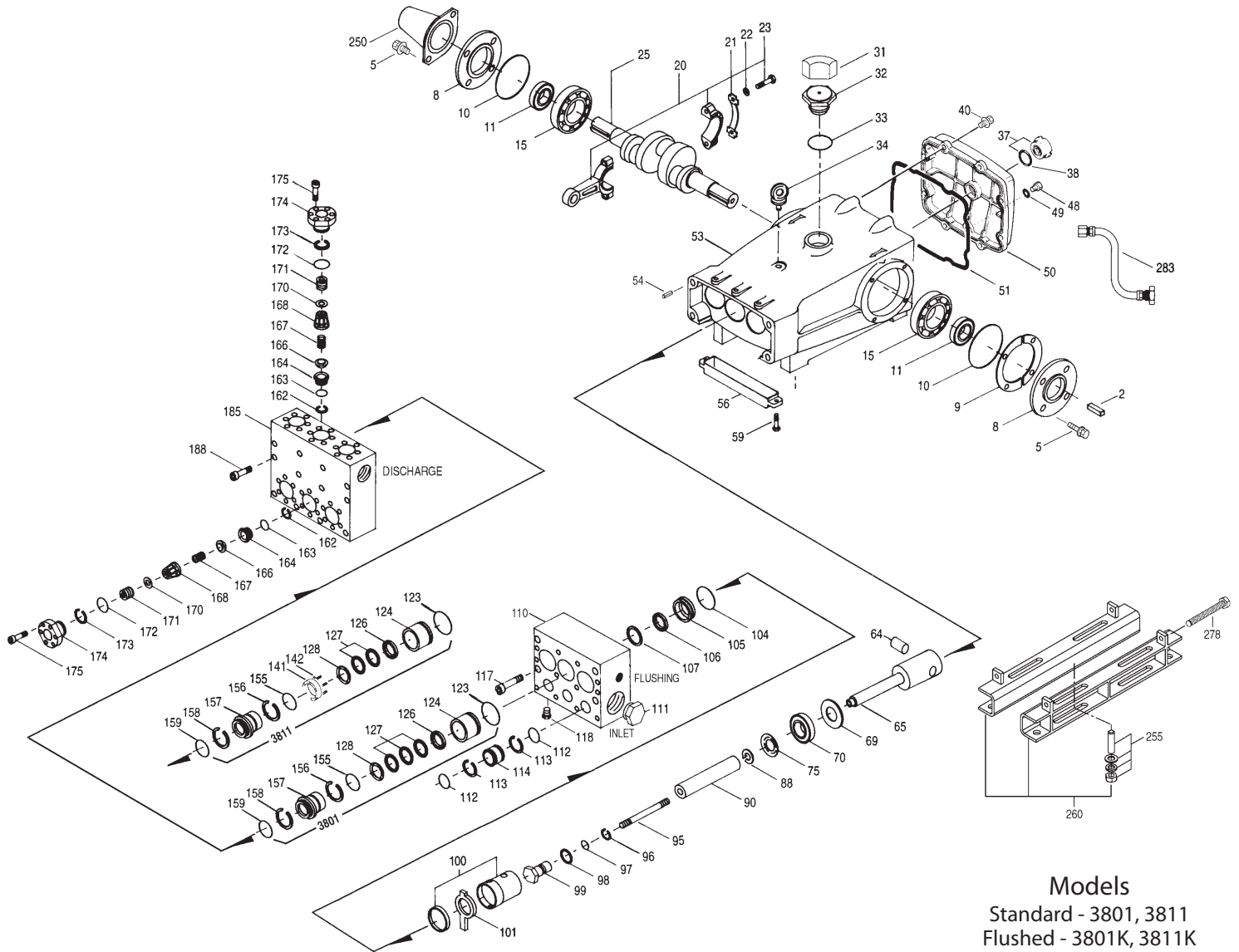
Motor rpm

See complete Drive Packages (Incls: Pulleys, Belts, Hubs, Key) Tech Bulletin 003.
Refer to pump **Service Manual** for repair procedure and additional technical information.

PARTS LIST

| ITEM | 3801 | MATL | 3801K | MATL | 3811 | MATL | 3811K | MATL | DESCRIPTION | QTY |
|------|--------|--------|--------|--------|--------|--------|--------|--------|--|-----|
| 2 | 34021 | STL | 34021 | STL | 34021 | STL | 34021 | STL | Key (M10x8x70) | 1 |
| 5 | 125753 | S | 125753 | S | 125753 | S | 125753 | S | Screw, HH Sems (M8x25) | 8 |
| 8 | 44542 | AL | 44542 | AL | 44542 | AL | 44542 | AL | Cover, Bearing | 2 |
| 9 | 815279 | FBR | 815279 | FBR | 815279 | FBR | 815279 | FBR | Shim, Split 2-Pc | 0-2 |
| 10 | 12398 | NBR | 12398 | NBR | 12398 | NBR | 12398 | NBR | O-Ring, Bearing Cover - 70D | 2 |
| 11 | 13296 | NBR | 13296 | NBR | 13296 | NBR | 13296 | NBR | Seal, Oil, Crankshaft | 2 |
| 15 | 29326 | STL | 29326 | STL | 29326 | STL | 29326 | STL | Bearing, Roller | 2 |
| 20 | 121467 | TNM | 121467 | TNM | 121467 | TNM | 121467 | TNM | Rod, Connecting Assy (Incls: 21, 22, 23) [10/00] | 3 |
| 21 | 126749 | STCP R | 126749 | STCP R | 126749 | STCP R | 126749 | STCP R | Washer, Locking (M10) | 3 |
| 22 | 126593 | STCP R | 126593 | STCP R | 126593 | STCP R | 126593 | STCP R | Washer, Flat (M10) | 6 |
| 23 | 122045 | STZP | 122045 | STZP | 122045 | STZP | 122045 | STZP | Screw, HH (M10x55) | 6 |
| 25 | 29325 | FCM | 29325 | FCM | 29325 | FCM | 29325 | FCM | Crankshaft, Dual End (M48) | 1 |
| 31 | 828710 | PE | 828710 | PE | 828710 | PE | 828710 | PE | Protector, Oil Cap w/Foam Gasket | 1 |
| 32 | 43211 | ABS | 43211 | ABS | 43211 | ABS | 43211 | ABS | Cap, Oil Filler | 1 |
| 33 | 14177 | NBR | 14177 | NBR | 14177 | NBR | 14177 | NBR | O-Ring, Oil Filler Cap - 70D | 1 |
| 34 | 126743 | STCP R | 126743 | STCP R | 126743 | STCP R | 126743 | STCP R | Bolt, Eye (M12x1.75) (For Lifting Pump Only) | 1 |
| 37 | 92241 | — | 92241 | — | 92241 | — | 92241 | — | Gauge, Oil, Bubble w/Gasket - 80D | 1 |
| 38 | 44428 | NBR | 44428 | NBR | 44428 | NBR | 44428 | NBR | Gasket, Flat, Oil Gauge - 80D | 1 |
| 40 | 125753 | S | 125753 | S | 125753 | S | 125753 | S | Screw, HH Sems (M8x25) | 8 |
| 48 | 25625 | STCP | 25625 | STCP | 25625 | STCP | 25625 | STCP | Plug, Drain (1/4"x19BSP) | 1 |
| 49 | 23170 | NBR | 23170 | NBR | 23170 | NBR | 23170 | NBR | O-Ring, Drain Plug - 70D | 1 |
| 50 | 45936 | AL | 45936 | AL | 45936 | AL | 45936 | AL | Cover, Rear | 1 |
| 51 | 16612 | NBR | 16612 | NBR | 16612 | NBR | 16612 | NBR | O-Ring, Cover - 70D | 1 |
| 53 | 44487 | AL | 44487 | AL | 44487 | AL | 44487 | AL | Crankcase Assy (Incls: 34, 54) | 1 |
| 54 | 27488 | S | 27488 | S | 27488 | S | 27488 | S | Pin, Guide | 2 |
| 56 | 27790 | POP | 27790 | POP | 27790 | POP | 27790 | POP | Pan, Oil | 1 |
| 59 | 92538 | S | 92538 | S | 92538 | S | 92538 | S | Screw, HHC Sems (M6x16) | 2 |
| 64 | 43864 | CM | 43864 | CM | 43864 | CM | 43864 | CM | Pin, Crosshead | 3 |
| 65 | 45118 | SSZZ | 45118 | SSZZ | 45116 | SSZZ | 45116 | SSZZ | Rod, Plunger | 3 |
| 69 | 126587 | STCP R | 126587 | STCP R | 126587 | STCP R | 126587 | STCP R | Washer, Oil Seal | 3 |
| 70 | 100488 | NBR | 100488 | NBR | 100488 | NBR | 100488 | NBR | Seal, Oil, Crankcase | 3 |
| | 44739 | FPM | 44739 | FPM | 44739 | FPM | 44739 | FPM | Seal, Oil, Crankcase | 3 |
| 75 | 43506 | S | 43506 | S | 43865 | S | 43865 | S | Slinger, Barrier | 3 |
| 88 | 45675 | S | 45675 | S | 45676 | S | 45676 | S | Washer, Keyhole | 3 |
| 90 | 43945 | CC | 43945 | CC | 43866 | CC | 43866 | CC | Plunger (M20x145) (M25x145) | 3 |
| 95 | 89779 | S | 89779 | S | 89778 | SS | 89778 | SS | Stud, Plunger Retainer (M7x123) (M10x135) | 3 |
| 96 | 20184 | PTFE | 20184 | PTFE | 20189 | PTFE | 20189 | PTFE | Back-up-Ring, Plunger Retainer | 3 |
| 97 | 14190 | NBR | 14190 | NBR | 11345 | NBR | 11345 | NBR | O-Ring, Plunger Retainer - 70D | 3 |
| | 14161 | FPM | 14161 | FPM | 11375 | FPM | 11375 | FPM | O-Ring, Plunger Retainer | 3 |
| | 48239 | EPDM | 48239 | EPDM | 701490 | EPDM | 701490 | EPDM | O-Ring, Plunger Retainer | 3 |
| 98 | 44069 | SS | 44069 | SS | 44085 | SS | 44085 | SS | Gasket, Plunger Retainer | 3 |
| 99 | 44068 | SS | 44068 | SS | 44084 | SS | 44084 | SS | Retainer, Plunger (M7) (M10) | 3 |
| 100 | 814279 | PVDF | 814279 | PVDF | 814279 | PVDF | 814279 | PVDF | Retainer, Seal [See Tech Bulletin 105] | 3 |
| 101 | 44095 | — | 44095 | — | 44096 | — | 44096 | — | Wick | 3 |
| 104 | 43875 | NBR | 43875 | NBR | 43875 | NBR | 43875 | NBR | O-Ring, Inlet Adapter - 70D | 3 |
| | 44826 | FPM | 44826 | FPM | 44826 | FPM | 44826 | FPM | O-Ring, Inlet Adapter - 70D | 3 |
| | 701656 | EPDM | 701656 | EPDM | 701656 | EPDM | 701656 | EPDM | O-Ring, Inlet Adapter - 70D | 3 |
| 105 | 701344 | SS | 701344 | SS | 701323 | SS | 701323 | SS | Adapter, Inlet | 3 |
| 106 | 44071 | NBR | 44071 | NBR | 44086 | NBR | 44086 | NBR | Seal, LPS w/SS-Spg | 3 |
| | 44381 | FPM | 44381 | FPM | 45846 | FPM | 45846 | FPM | Seal, LPS w/SS-Spg | 3 |
| | 701974 | SFTB* | 701974 | SFTB* | 701944 | SFTA* | 701944 | SFTA* | Seal, LPS w/SS-Spg | 3 |
| 107 | 44074 | SS | 44074 | SS | 44089 | SS | 44089 | SS | Washer, LPS | 3 |
| 110 | 701286 | SS | 701286 | SS | 701286 | SS | 701286 | SS | Manifold, Inlet, Block-Style | 1 |
| | — | — | 701408 | SS | — | — | 701408 | SS | Manifold, Inlet, Block-Style, Flushed (1/2" Inlet Port) 3801K, 3811K | 1 |
| 111 | 701116 | SS | 701116 | SS | 701116 | SS | 701116 | SS | Plug, Inlet (1-1/2" NPT) | 1 |
| 112 | 701794 | NBR | 701794 | NBR | 701794 | NBR | 701794 | NBR | O-Ring, Inlet Spacer - 70D | 6 |
| | 701318 | FPM | 701318 | FPM | 701318 | FPM | 701318 | FPM | O-Ring, Inlet Spacer - 75D | 6 |
| | 701495 | EPDM | 701495 | EPDM | 701495 | EPDM | 701495 | EPDM | O-Ring, Inlet Spacer - 70D | 6 |
| 113 | 701319 | PTFE | 701319 | PTFE | 701319 | PTFE | 701319 | PTFE | Back-up-Ring, Inlet Spacer | 6 |
| 114 | 701317 | SS | 701317 | SS | 701317 | SS | 701317 | SS | Spacer, Inlet | 3 |
| 117 | 701252 | SS | 701252 | SS | 701252 | SS | 701252 | SS | Screw, HSH (M14x100) | 4 |
| 118 | 701077 | SS | — | 701077 | SS | — | — | — | Plug (1/4" NPT) | 3 |
| 123 | 12391 | NBR | 12391 | NBR | 12391 | NBR | 12391 | NBR | O-Ring, V-Packing Cylinder - 70D | 3 |
| | 13266 | FPM | 13266 | FPM | 13266 | FPM | 13266 | FPM | O-Ring, V-Packing Cylinder - 70D | 3 |
| | 701657 | EPDM | 701657 | EPDM | 701657 | EPDM | 701657 | EPDM | O-Ring, V-Packing Cylinder - 70D | 3 |
| 124 | 701336 | SS | 701336 | SS | 701448 | SS | 701448 | SS | Cylinder, V-Packing | 3 |
| 126 | 44164 | SS | 44164 | SS | 701325 | SS | 701325 | SS | Adapter, Female | 3 |
| 127 | 44607 | STG* | 44607 | STG* | 44610 | STG* | 44610 | STG* | V-Packing | 9-6 |
| 128 | 44165 | SS | 44165 | SS | 701326 | SS | 701326 | SS | Adapter, Male | 3 |
| 141 | — | — | — | — | 45113 | SS | 45113 | SS | Spring, Coil | 15 |
| 142 | — | — | — | — | 701447 | SS | 701447 | SS | Spacer w/Coil Springs | 3 |
| 155 | 17622 | NBR | 17622 | NBR | 11379 | NBR | 11379 | NBR | O-Ring, V-Packing Spacer | 3 |
| | 11719 | FPM | 11719 | FPM | 14183 | FPM | 14183 | FPM | O-Ring, V-Packing Spacer | 3 |
| | 701654 | EPDM | 701654 | EPDM | 701491 | EPDM | 701491 | EPDM | O-Ring, V-Packing Spacer | 3 |
| 156 | 28675 | PTFE | 28675 | PTFE | 28243 | PTFE | 28243 | PTFE | Back-up-Ring, V-Packing Spacer | 3 |
| 157 | 701352 | SS | 701352 | SS | 701385 | SS | 701385 | SS | Spacer, V-Packing | 3 |
| 158 | 28675 | PTFE | 28675 | PTFE | 28243 | PTFE | 28243 | PTFE | Back-up-Ring, V-Packing Spacer | 3 |
| 159 | 17622 | NBR | 17622 | NBR | 11379 | NBR | 11379 | NBR | O-Ring, V-Packing Spacer | 3 |
| | 11719 | FPM | 11719 | FPM | 14183 | FPM | 14183 | FPM | O-Ring, V-Packing Spacer | 3 |
| | 701654 | EPDM | 701654 | EPDM | 701491 | EPDM | 701491 | EPDM | O-Ring, V-Packing Spacer | 3 |
| 162 | 21985 | PTFE | 21985 | PTFE | 21985 | PTFE | 21985 | PTFE | Back-up-Ring, Seat | 6 |
| 163 | 26089 | NBR | 26089 | NBR | 26089 | NBR | 26089 | NBR | O-Ring, Seat - 80D | 6 |
| | 11377 | FPM | 11377 | FPM | 11377 | FPM | 11377 | FPM | O-Ring, Seat - 80D | 6 |
| | 46647 | EPDM | 46647 | EPDM | 46647 | EPDM | 46647 | EPDM | O-Ring, Seat - 80D | 6 |
| 164 | 44080 | SS | 44080 | SS | 44080 | SS | 44080 | SS | Seat | 6 |
| 166 | 44081 | SS | 44081 | SS | 44081 | SS | 44081 | SS | Valve | 6 |
| 167 | 44082 | SS | 44082 | SS | 44082 | SS | 44082 | SS | Spring | 6 |
| 168 | 44735 | PVDF | 44735 | PVDF | 44735 | PVDF | 44735 | PVDF | Retainer, Spring | 6 |
| 170 | 44794 | SS | 44794 | SS | 44794 | SS | 44794 | SS | Washer, Spring Retainer | 6 |
| 171 | 44793 | SS | 44793 | SS | 44793 | SS | 44793 | SS | Spring, Coil, Valve Plug | 6 |
| 172 | 15853 | NBR | 15853 | NBR | 15853 | NBR | 15853 | NBR | O-Ring, Valve Plug - 70D | 6 |
| | 11720 | FPM | 11720 | FPM | 11720 | FPM | 11720 | FPM | O-Ring, Valve Plug - 70D | 6 |
| | 701481 | EPDM | 701481 | EPDM | 701481 | EPDM | 701481 | EPDM | O-Ring, Valve Plug - 70D | 6 |
| 173 | 20224 | PTFE | 20224 | PTFE | 20224 | PTFE | 20224 | PTFE | Back-up-Ring, Valve Plug | 6 |
| 174 | 701260 | SS | 701260 | SS | 701260 | SS | 701260 | SS | Plug, Valve | 6 |
| 175 | 87951 | S | 87951 | S | 87951 | S | 87951 | S | Screw, HSH, Valve Plug (M10x30) | 36 |

EXPLODED VIEW



Models
Standard - 3801, 3811
Flushed - 3801K, 3811K
May 2013

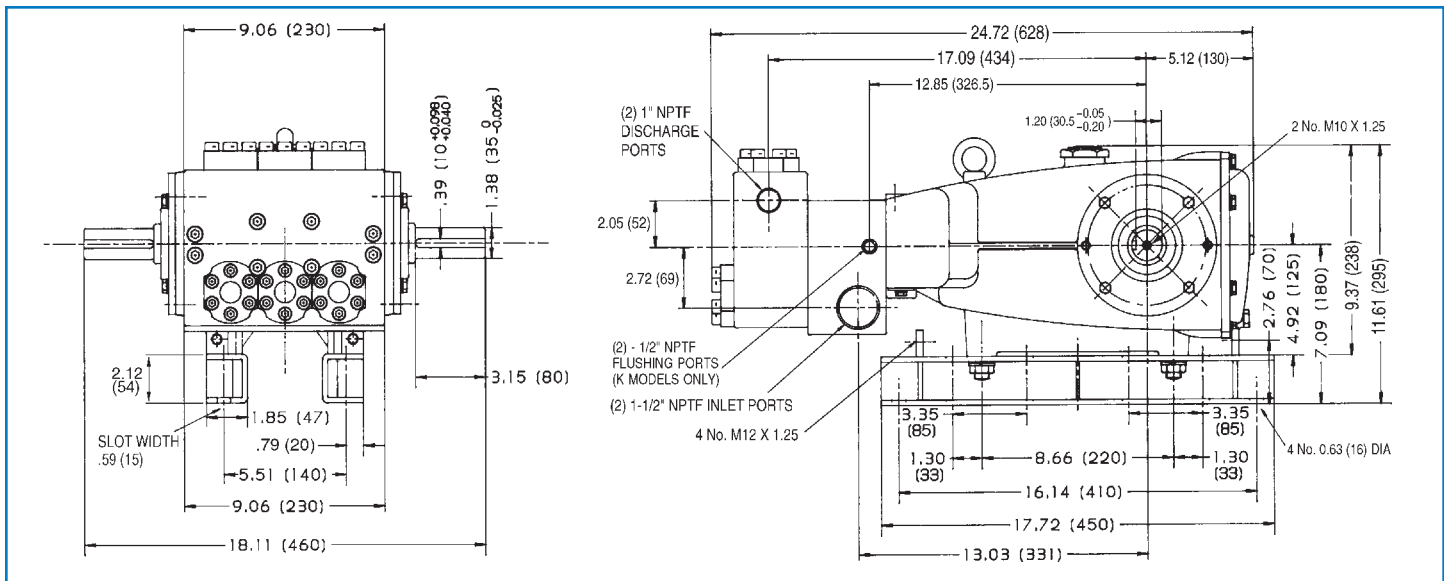
| | 3801 | MATL | 3801K | MATL | 3811 | MATL | 3811K | MATL | DESCRIPTION | |
|-----|---------------|--------------|---------------|--------------|---------------|--------------|---------------|--------------|--|----|
| 185 | 701314 | SS | 701314 | SS | 701785 | SS | 701785 | SS | Manifold, Discharge, Block-Style | 1 |
| 188 | 701279 | S | 701279 | S | 701279 | S | 701279 | S | Screw, HSH, (M12x100) | 12 |
| 196 | 701342 | SS | 701342 | SS | 701342 | SS | 701342 | SS | Plug, Discharge (1" NPT) Not Shown | 1 |
| 250 | 44516 | NY | 44516 | NY | 44516 | NY | 44516 | NY | Protector, Shaft w/2 Screws, Lockwashers and Washers (Incl w/Pump) | 1 |
| 255 | 34039 | S | 34039 | S | 34039 | S | 34039 | S | Assy, Direct Mount | 1 |
| 260 | 92674 | STZP | 92674 | STZP | 92674 | STZP | 92674 | STZP | Mount, Rail, Assy (Incls: 34018) | 1 |
| 275 | 990013 | STL | 990013 | STL | 990013 | STL | 990013 | STL | Hub, "B" (35mm w/Keyway) [See Tech Bulletin 003] | 1 |
| 278 | 80540 | ZP | 80540 | ZP | 80540 | ZP | 80540 | ZP | Screw, HH (M12x100) (Rail Adjusting Screw) | 1 |
| 279 | 30278 | STZP | 30278 | STZP | 30278 | STZP | 30278 | STZP | Oiler (1 oz.) (Not Shown) | 3 |
| 281 | 30967 | — | 30967 | — | 30967 | — | 30967 | — | Glass, Oiler (Not Shown) | 3 |
| 282 | 10069 | NBR | 10069 | NBR | 10069 | NBR | 10069 | NBR | Gasket, Oiler (Not Shown) | 3 |
| 283 | 34314 | — | 34314 | — | 34314 | — | 34314 | — | Kit, Oil Drain (3/8" x 48") | 1 |
| 290 | 6124 | — | 6124 | — | 6124 | — | 6124 | — | Gasket, Liquid (3 oz.) | 1 |
| 299 | 901388 | SS | 901389 | SS | 901370 | SS | 901371 | SS | Head, Complete, Block-Style | 1 |
| 300 | 34151 | NBR* | 701786 | NBR* | 701793 | NBR* | 701793 | NBR* | Kit, Seal (Incls: 97,104,106,112,113,123,127,155,156,158,159) | 1 |
| | 33251 | FPM* | 33251 | FPM* | 701802 | FPM* | 701802 | FPM* | Kit, Seal (Incls: 97,104,106,112,113,123,127,155,156,158,159) | 1 |
| | 33141 | EPDM* | 33141 | EPDM* | 701803 | EPDM* | 701803 | EPDM* | Kit, Seal (Incls: 97,104,106,112,113,123,127,155,156,158,159) | 1 |
| 310 | 701798 | FPM | 701798 | FPM | 701798 | FPM | 701798 | FPM | Kit, Valve, Preassembled (Incls: 162,163,164,166,167,168,170,172,173) | 2 |
| | 701799 | EPDM | 701799 | EPDM | 701799 | EPDM | 701799 | EPDM | Kit, Valve, Preassembled (Incls: 162,163,164,166,167,168,170,172,173) | 2 |
| — | 819000 | F | 819000 | F | 819000 | F | 819000 | F | Kit, Valve, Preassembled (Incls: 162,163,164,166,167,168,170,172,173) | 2 |
| 370 | — | — | 990663 | — | — | — | 990663 | — | Assembly, Crankcase, Cast Iron Conversion | 1 |
| 390 | 711500 | SS | 711500 | SS | 711500 | SS | 711500 | SS | Assembly, Flushing, 5 gal, 115V, 1.1 Amp, 1/2"NPT | 1 |
| 391 | 711506 | SS | 711506 | SS | 711506 | SS | 711506 | SS | C.A.T. (Inlet pressure stabilizer for RO and boosted inlet applications) | 1 |
| 392 | 701818 | SS | 701818 | SS | 701818 | SS | 701818 | SS | Adapter (2 per C.A.T.) (See Data Sheet for complete selection) | 1 |
| — | 6100 | — | 6100 | — | 6100 | — | 6100 | — | Elbow Assy used with Adapter Assy 711506 | 1 |
| | | | | | | | | | Oil, Case (12-21 oz. Bottles) ISO-68 Hydraulic | 1 |
| | | | | | | | | | (Fill to specified crankcase capacity prior to start-up) | 1 |

Bold print part numbers are unique to a particular pump model. Italics are optional items. [] Date of latest production change.

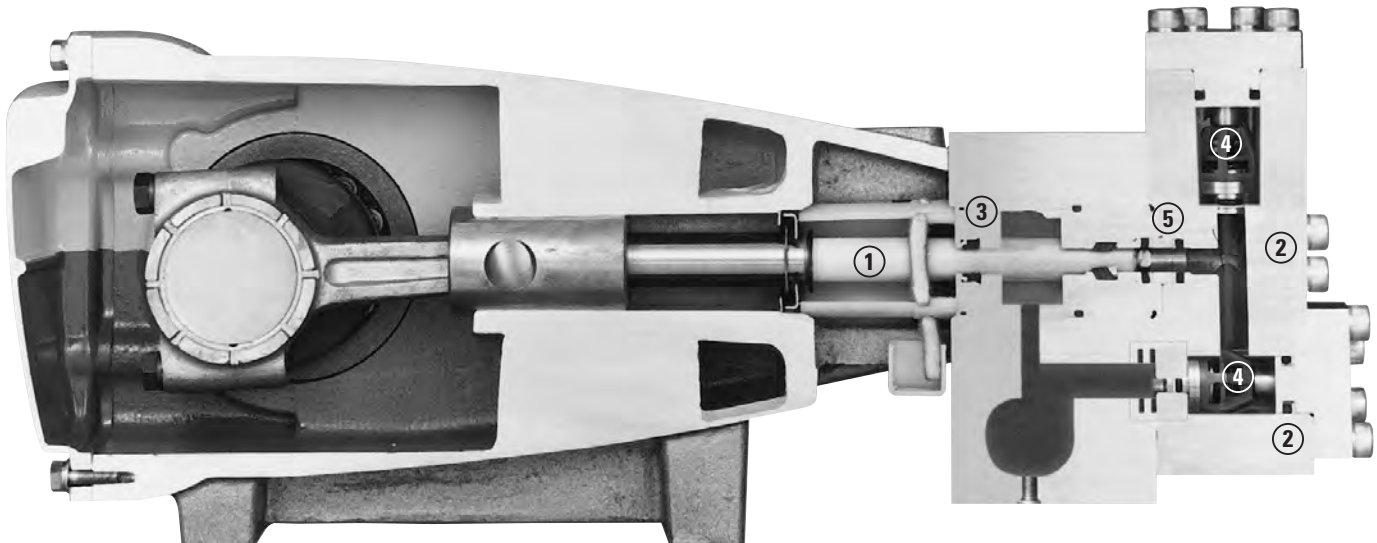
◆ Silicone oil/grease required. R Components comply with RoHS Directive. * Review individual parts in each kit for material identification.

See Tech Bulletins 002, 003, 024, 035, 036, 041, 043, 053, 074, 077, 083, 095 and 105 for additional information.

MATERIAL CODES (Not Part of Part Number): ABS=ABS Plastic AL=Aluminum CC=Ceramic CM=Chrome-Moly EPDM=Ethylene Propylene Diene Monomer F=Cast Iron FBR=Fiber FCM=Forged Chrome-moly FPM=Fluorocarbon NBR=Medium Nitrile (Buna-N) NBR5=Buna, Silicone Free NY=Nylon PE=Polyethylene POP=Polypropylene PTFE=Pure Polytetrafluoroethylene PVDF=Polyvinylidene Fluoride S=304SS SFTA=Special Blend PTFE Tan SFTB=Special Blend PTFE Black SS=316SS SSL=316SS/Low Carbon SSZZ=316SS/Zamak STCP=Steel/Chrome Plated STG=Special Blend PTFE White STL=Steel STZP=Steel/Zinc Plated TNM=Special High Strength ZP=Zinc Plated



Models 3801, 3801K, 3811, 3811K



- 1 Special concentric, high-density, polished, solid ceramic **plungers** provide a true wear surface and extended seal life.
- 2 **Manifolds** are 316 SS block-style for long-term continuous-duty and corrosion resistance.
- 3 **Standard Models:** Lo Pressure Seals and V-Packings are completely lubricated and cooled by the liquid being pumped.
- 4 Stainless steel **valves, seats and springs** provide corrosion-resistance, ultimate seating and extended life.
- 5 Specially formulated, Cat Pump exclusive, **V-Packings** offer unmatched performance and seal life.
- 6 Special **Flushed Inlet Manifold** permits external flush for added cooling with high temperature liquids and lubrication with low lubricity liquids.



CAT PUMPS
 1681 - 94TH LANE N.E. MINNEAPOLIS, MN 55449-4324
 PHONE (763) 780-5440 — FAX (763) 780-2958
 e-mail: techsupport@catpumps.com
 www.catpumps.com