

DATA SHEET

38 FRAME BLOCK-STYLE PLUNGER PUMP



Standard Models: 3821HS

Flushed Models: 3821KHS



Model 3821HS Shown
(Shaft protector included and mounting rails not included)

SPECIFICATIONS	U.S. Measure	Metric Measure
Flow	25 gpm	95 lpm
Pump Pressure Range	100 to 2000 psi	6.9 to 138 bar
Pump RPM*	870 rpm	870 rpm
Inlet Pressure Range	Flooded to 70 psi	Flooded to 4.8 bar
Max. Liquid Temp. (NBR)	160° F	71° C

Alternative seals available for high temp up to 180° F

Bore	1.260"	32 mm
Stroke	1.890"	48 mm
Crankcase Capacity	4.2 Qts.	4 l
Inlet Ports (2)	1-1/2" NPT(F)	1-1/2" NPT (F)
Flush Ports (2) "K"	1/2" NPT (F)	1/2" NPT (F)
Discharge Ports (2)	1" NPT (F)	1" NPT (F)
Shaft Diameter	1.378"	35 mm
Pulley Mounting	Either Side	Either Side
Weight	167 lbs.	75 kg
Dimensions	24.4 x 18.11 x 9.37"	620 x 460 x 238 mm

*Pump minimum is 100 RPM.

FEATURES

- Triplex design delivers high efficiency and low pulsation.
- Durable dual V-Packings are lubricated and cooled by pumped liquid.
- Special flushed inlet manifold on model 3821KHS permits external flush for added cooling with high temperature liquids and lubrication with low lubricity liquids.
- Standard NBR seals with alternative options for temperature and chemical compatibility.

ALTERNATIVE SEAL CONFIGURATION

MATERIAL	SUFFIX CODE	MAXIMUM TEMPERATURE	
NBR	—	160° F	(71° C)
FPM	.0110	180° F	(82° C)
EPDM	.0220	160° F	(71° C)

See Reference Document 99REF017 for inlet conditions and RPM at high temperature.

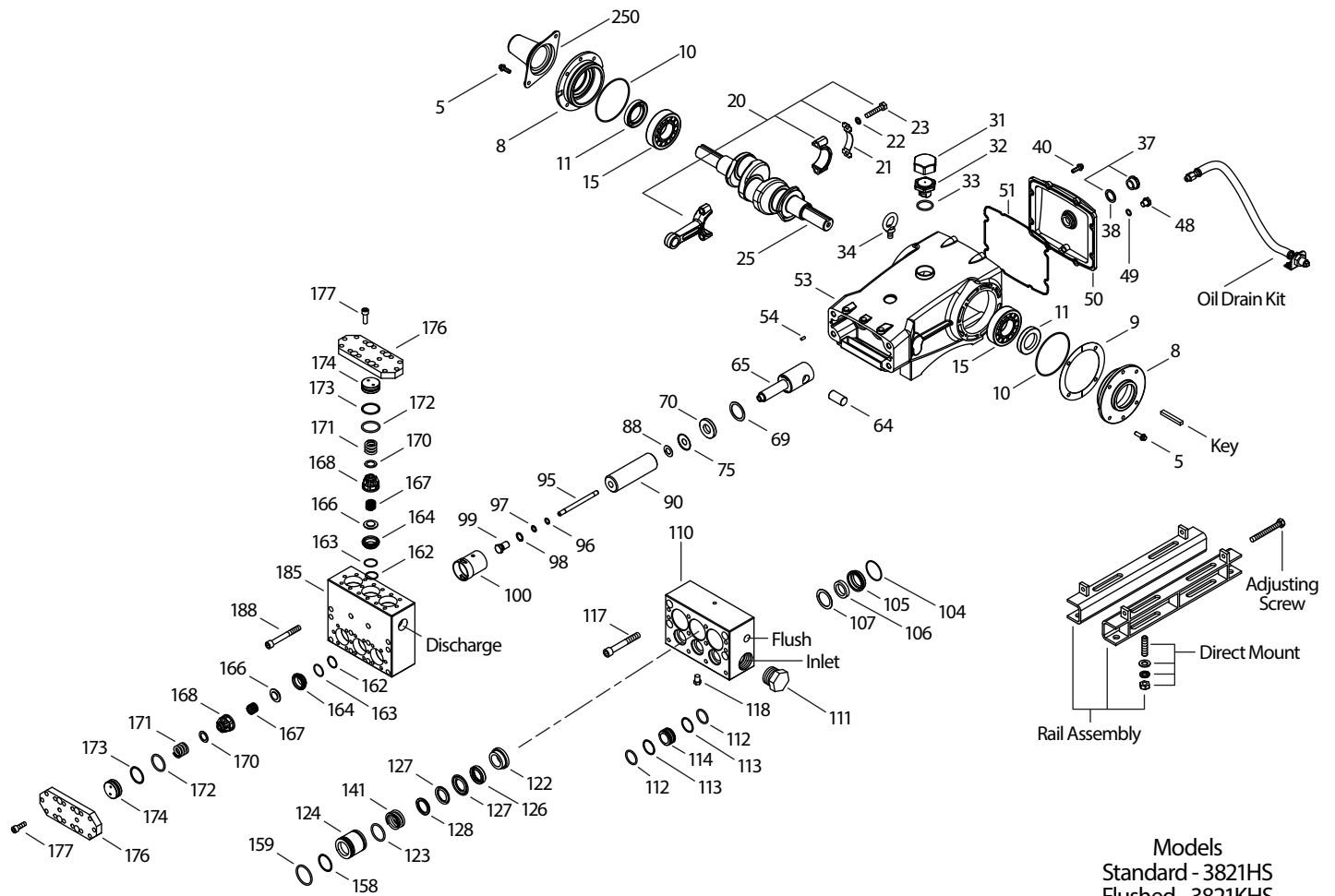
DETERMINING THE PUMP R.P.M.	Rated gpm	=	"Desired" gpm
	Rated rpm	=	"Desired" rpm
DETERMINING THE REQUIRED H.P.	Hp	=	gpm x psi
	(Electric Brake)	=	1460
DETERMINING MOTOR PULLEY SIZE	Motor Pulley O.D.	=	Pump Pulley O.D.
	Pump rpm	=	Motor rpm

Refer to pump Service Manual for repair procedure and additional technical information.

PARTS LIST

ITEM	PN	MATL	PN	MATL	DESCRIPTION	QTY
	3821HS		3821KHS			
5	96049	S	96049	S	Screw, HH Sems (M10x25) (See Tech Bulletin 125) [06/18]	8
8	134604	AL	134604	AL	Cover, Bearing (See Tech Bulletin 118, 125) [06/18]	2
9	815279	FBR	815279	FBR	Shim, Split 2-Pc (See Tech Bulletin 125) [06/18]	4
10	12398	NBR	12398	NBR	O-Ring, Bearing Cover - 70D	2
11	13296	NBR	13296	NBR	Seal, Oil, Crankshaft	2
15	29326	STL	29326	STL	Bearing, Roller	2
20	126725	BZ	126725	BZ	Rod, Connecting Assy (Incls: 21,22,23) [10/00] (See Tech Bulletin 127)	3
21	126749	STCP R	126749	STCP R	Washer, Locking (M10)	3
22	126593	STCP R	126593	STCP R	Washer, Flat (M10)	6
23	122045	STZP	122045	STZP	Screw, HH (M10x55)	6
25	29325	FCM	29325	FCM	Crankshaft, Dual End (M48)	1
31	828710	PE	828710	PE	Protector, Oil Cap w/Foam Gasket	1
32	43211	ABS	43211	ABS	Cap, Oil Filler	1
33	14177	NBR	14177	NBR	O-Ring, Oil Filler Cap - 70D	1
34	126743	STCP R	126743	STCP R	Bolt, Eye (M12x1.75) (For Lifting Pump Only)	1
37	92241	—	92241	—	Gauge, Oil Bubble w/Gasket	1
38	44428	NBR	44428	NBR	Gasket, Flat, Oil Gauge - 80D	1
40	125753	S	125753	S	Screw, HH Sems (M8x25)	8
48	25625	STCP	25625	STCP	Plug, Drain (1/4"x19BSP)	1
49	23170	NBR	23170	NBR	O-Ring, Drain Plug - 70D	1
50	45936	AL	45936	AL	Cover, Rear (See Tech Bulletin 118)	1
51	16612	NBR	16612	NBR	O-Ring, Cover - 70D	1
53	134784	AL	134784	AL	Crankcase Assy (Incls: 34, 54) (See Tech Bulletin 118, 125, 127) [06/18]	1
54	27488	S	27488	S	Pins, Guide	2
56	27790	POP	27790	POP	Pan, Oil	1
59	92538	S	92538	S	Screw, HH Sems (M6x16)	2
64	43864	CM	43864	CM	Pin, Crosshead	3
65	49166	SSHB	49166	SSHB	Rod, Plunger (See Tech Bulletin 127)	3
69	126587	STCP R	126587	STCP R	Washer, Oil Seal	3
70	100488	NBRS	100488	NBRS	Seal, Oil, Crankcase	3
75	43865	S	43865	S	Slinger, Barrier	3
88	45676	S	45676	S	Washer, Keyhole (M16)	3
90	43957	CC	43957	CC	Plunger (M32x145)	3
95	89778	SS	89778	SS	Stud, Plunger Retainer (M10x135)	3
96	20189	PTFE	20189	PTFE	Back-up-Ring, Plunger Retainer	3
97	11345	NBR	11345	NBR	O-Ring, Plunger Retainer - 70D	3
98	44085	SS	44085	SS	Gasket, Plunger Retainer	3
99	44084	SS	44084	SS	Retainer, Plunger (M10)	3
100	814279	PVDF	814279	PVDF	Retainer, Seal, 2-Pc	3
101	44106	—	44106	—	Wick, Long Tab	3
104	43875	NBR	43875	NBR	O-Ring, Inlet Adapter - 70D	3
105	45562	SS	45562	SS	Adapter, Inlet	3
106	44098	NBR	44098	NBR	Seal, LPS w/SS-Spg	3
107	44101	SS	44101	SS	Washer, LPS Seal	3
110	701286	SSL	—	—	Manifold, Inlet, Block-Style	1
	—	—	701408	SSL	Manifold, Inlet, Block-Style, Flushed	1
111	701116	SS	701116	SS	Plug, Inlet [1-1/2" NPT(M)]	1
112	701794	NBR	701794	NBR	O-Ring, Inlet Spacer - 70D	6
113	701319	PTFE	701319	PTFE	Back-up-Ring, Inlet Spacer	6
114	701317	SS	701317	SS	Spacer, Inlet	3
117	701252	SS	701252	SS	Screw, HSH (M14x100)	4
118	701077	SS	—	—	Plug [1/4" NPT(M)]	1
122	49782	SS	49782	SS	Spacer, V-Packing	3
123	12391	NBR	12391	NBR	O-Ring, V-Packing Cylinder - 70D	3
124	49783	SS	49783	SS	Cylinder, V-Packing	3
126	45564	SS	45564	SS	Adapter, Female	3
127	44608	STG	44608	STG	V-Packing	6
128	45565	SS	45565	SS	Adapter, Male	3
141	49743	SS	49743	SS	Springs, Coil	3
158	48362	D	48362	D	Back-up-Ring, V-Packing Cylinder	3
159	48860	NBR	48860	NBR	O-Ring, V-Packing Cylinder - 90D	3
162	48363	D	48363	D	Back-up-Ring, Seat	6
163	26142	NBR	26142	NBR	O-Ring, Seat - 80D	6
164	44612	SS	44612	SS	Seat, Stepped	6
166	44108	SS	44108	SS	Valve	6
167	44109	SS	44109	SS	Spring	6
168	44728	PVDF	44728	PVDF	Retainer, Spring	6
170	44729	SS	44729	SS	Washer, Spring Retainer	6
171	44644	SS	44644	SS	Spring, Coil (70kg), Valve Plug	6
172	89827	NBR	89827	NBR	O-Ring, Valve Plug - 90D	6
173	48364	D	48364	D	Back-up-Ring, Valve Plug	6
174	701278	SS	701278	SS	Plug, Valve	6
176	701316	SS	701316	SS	Cover, Valve	2
177	87951	S	87951	S	Screw, HSH (M10x30)	32
185	701315	SSL	701315	SSL	Manifold, Discharge, Block-Style	1

EXPLODED VIEW



Models
Standard - 3821HS
Flushed - 3821KHS
September 2018

ITEM	PN	MATL	PN	MATL	DESCRIPTION	QTY
	3821HS		3821KHS			
188	701279	S	701279	S	Screw, HSH (M12x100)	12
196	701342	SS	701342	SS	Plug, Discharge (1" NPT) Not Shown	1
250	855042	NY	855042	NY	Protector, Shaft w/2 Screws, Lockwashers and Washers (Incl w/Pump) (See Tech Bulletin 125, 127) [06/18]	1

Bold print part numbers are unique to a particular pump model. Italics are optional items. [] Date of latest production change.

† Production parts are different than replacement parts. R Components comply with RoHS Directive. * Review individual parts in each kit for material code identification.

See Tech Bulletins 024, 035, 036, 041, 043, 053, 074, 083, 095, 105, 108, 114, 118, 125 and 127 for additional information. See Service Bulletin 001.

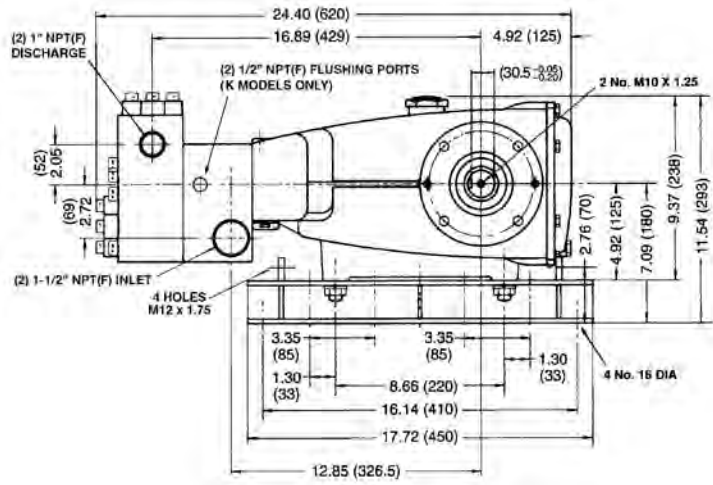
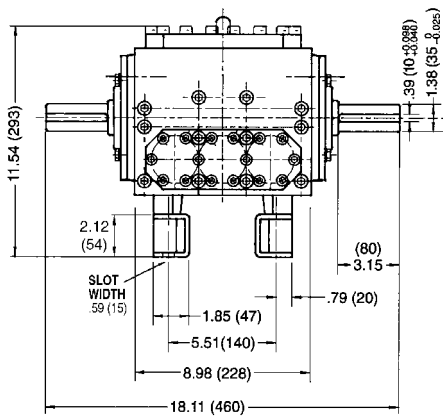
MATERIAL CODES (Not Part of Part Number): ABS=ABS Plastic AL=Aluminum BZ=Bronze CC=Ceramic CM=Chrome-Moly D=Acetal EPDM=Ethylene Propylene Diene Monomer F=Cast Iron
FBR=Fiber FCM=Forged Chrome-moly FPM=Fluorocarbon NBR=Medium Nitrile (Buna-N) NBRS=Buna, Silicone Free NY=Nylon PE=Polyethylene POP=Polypropylene
PTFE=Pure Polytetrafluoroethylene PVDF=Polyvinylidene Fluoride S=304SS SFG=Special Blend FPM SS=316SS SSL=316SS/Low Carbon SSHB=316SS/High-Strength Brass SSZZ=316SS/Zamak
STG=Special Blend PTFE White STL=Steel STCP=Steel/Chrome Plated STZP=Steel/Zinc Plated TNM=Special High Strength ZP=Zinc Plated

OPTIONAL PARTS AND ACCESSORIES

PN	DESCRIPTION	QTY
701699	Kit, Seal - Standard	1
34017	Kit, Valve, Preassembled - Standard	2
92674	Mount, Rail Assy	1
34039	Assy, Direct Mount	1
80540	Screw, HH (M12x100) (Rail Adjusting Screw)	1
30278	Oiler (1 oz.) Not Shown	3
34314	Kit, Oil Drain (3/8" X 48")	1
990663	Assembly, Flushing, 5 gal., 115V, 1.1 Amp, 1/2" NPT (3821KHS)	1

SERVICE PARTS

PN	DESCRIPTION	QTY
6100	Oil, Case (12-21 oz. Bottles) ISO-68 Hydraulic	1
34021	Key (M10x8x70)	1
6119	Lubricant, Anti-seize (2 oz.)	1
6124	Gasket, Liquid (3 oz.)	1
901401	Head, Complete, w/NBR Seals and O-Ring (3821HS)	1
901405	Head, Complete, Flushed w/NBR Seals and O-Ring (3821KHS)	1
819000	Assembly, Crankcase, Cast Iron Conversion	1



Models 3821HS, 3821KHS

SEAL KITS One (1) seal kit required per pump

PUMP MODELS	NBR (STD)	FPM (0.0110)	EPDM (0.0220)◆
3821HS, 3821KHS	701699*	33269	701714*

ITEM (Included in Seal Kits)				DESCRIPTION	QTY
97	11345	11375	701490	O-Ring, Plunger Retainer	3
104	43875	44826	701656	O-Ring, Inlet Adapter	3
106	44098	44827	48244	Seal, LPS w/SS-Spg	3
112	701794	701318	701495	O-Ring, Inlet Spacer	6
113	701319	701319	701319	Backup-Ring, Inlet Spacer	6
123	12391	13266	701657	O-Ring, V-Packing Cylinder	3
127	44608	44829	44608	V-Packing	6
158	48362	48362	48362	Backup-Ring, V-Packing Cylinder	3
159	48860	20137	701492	O-Ring, V-Packing Cylinder	3

◆ Silicone oil/grease required *Review material codes for individual items (STG generally may be used as alternative)

VALVE KITS Two (2) valve kits required per pump

PUMP MODELS	NBR (STD)	FPM (0.0110)	EPDM (0.0220)◆
3821HS, 3821KHS	34017	31955	31952

ITEM (Included in Valve Kits)				DESCRIPTION	QTY
162	48363	48363	48363	Backup-Ring, Valve Seat	3
163	26142	14330	701493	O-Ring, Valve Seat	3
164	44612	44612	44612	Seat, Stepped	3
166	44108	44108	44108	Valve	3
167	44109	44109	44109	Spring	3
168	44728	44728	44728	Retainer, Spring	3
170	44729	44729	44729	Washer, Spring Retainer	3
172	89827	11747	701494	O-Ring, Valve Plug	3
173	48364	48364	48364	Backup-Ring, Valve Plug	3

◆ Silicone oil/grease required

CAUTIONS AND WARNINGS

All High Pressure Systems require a primary pressure regulating device (i.e. regulator, unloader) and a secondary pressure relief device (i.e. pop-off valve, relief valve). Failure to install such relief devices could result in personal injury or damage to pump or property. Cat Pumps does not assume any liability or responsibility for the operation of a customer's high pressure system. Read all CAUTIONS and WARNINGS before commencing service or operation of any high pressure system. The CAUTIONS and WARNINGS are included in each service manual and with each Accessory Data sheet. CAUTIONS and WARNINGS can also be viewed online at www.catpumps.com/cautions-warnings or can be requested directly from Cat Pumps.

WARRANTY

View the Limited Warranty on-line at www.catpumps.com/warranty.