



FAS and FAC Series

Single Cartridge Filter Housings with Bolt & Nut Closure for Air & Gases



- Designed for industrial and commercial filter applications
- Heavy duty construction for maximum durability
- Various materials of construction for wide range of process requirements
 - 304L or 316L stainless steel
 - Brass nickel plated head with 304L SS body
 - Cast Iron Head with a steel body
- Accepts Double Open-End (DOE) cartridges
- Available with 1/4", 3/8", 1/2", 3/4", and 1" connections.
- Numerous gasket options for compatibility with most fluids
- Bolt-nut-closure design for quick cartridge change outs (T-handle optional)
- In line connections for easy installation
- Knife edge seals at both end of cartridge housing eliminate potential bypass.

Applications

Water	Desalination
Chemicals	Food & Beverage
Electronics	Oil / Gas
Air	Inks / Paints / Coatings
Gases	Pulp & Paper

Specifications & Operating Parameters

Maximum Operating Pressure

250 psig (17 bar) @ 275°F (135°C)

125 psig (8.6 bar) @ 200°F (93.3°C): FAC-15 Series

Connections

Inlet /Outlet: 1/2", 3/4" or 1" FNPT

1/4" and 3/8" only available for FAC Series

Optional: RF Flanges, Sanitary Ferrules, BSP

Drain Port: 1/8" NPT (1/4" for FO-38 models)

Gaskets

Buna

Optional: EPR, Silicone, Viton, Teflon, Neoprene, Vellumoid

Materials of Construction

Head / Shell: FAS - 304L or 316L Stainless Steel

FAC - Cast iron head / carbon steel

Drain: FAS - Stainless Steel Plug

FAC - Brass Petcock

Options

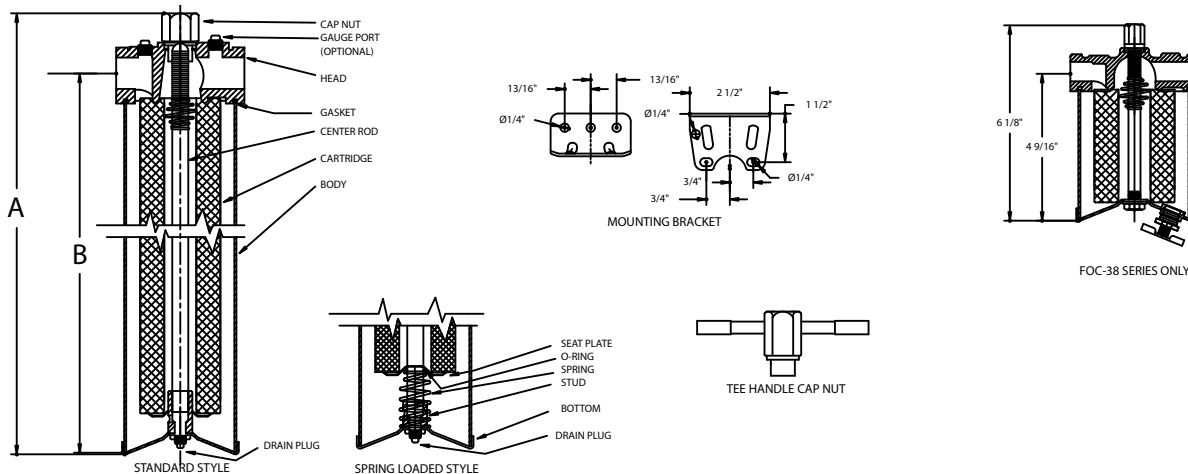
- Vent Port with Vent Screw
- Gauge Ports
- Bracket Kit
- Variable Spring Load Seal
- Tee Handle

See Ordering Guide for complete selection of options

MODEL	QUANTITY (LENGTH) OF CARTRIDGES	RATED FLOW CAPACITY SCFM	MAXIMUM DIAMETER CARTRIDGE	DRAIN SIZE	STANDARD	
					A	B
FA-15	1 (17/8")	15	2 3/4"	1/4"	7 11/16" (19.5)	5 3/4" (15.1)
FA-39	1 (4 7/8")	40	2 3/4"	1/8"	8 7/8" (22.5)	6 15/16" (17.6)
FA-78	1 (9 3/4")	80	2 3/4"	1/8"	13 3/4" (34.9)	11/13/16" (33.0)
FA-80	1 (20")	140	2 3/4"	1/8"	23 7/8" (60.6)	21 15/16" (55.7)
FA-90	1 (30")	220	2 3/4"	1/8"	33 7/8" (86.0)	31 15/16" (81.1)

* Based upon air with a 10 micron wound element 70°F, 2 psid @ 80 psi. Rated capacities are guide lines only, actual flow rates are based on cartridge type, micron ratings and other factors.

Dimensions



Ordering Guide (Example: FAS-786-316-TH-E)

FA	S	- 78	6	- 316	-	TH	-	E
MODEL	MATERIAL	CARTRIDGE LENGTH*	PIPE SIZE FNPT	OPTIONAL MATERIAL		OPTIONS		GASKET
FA	S = 304L Stainless Steel with stainless steel drain plug C = Cast iron head with steel sump and brass petcock drain	15 = 1 7/8" ** 39 = 4 7/8" 78 = 9 3/4" 80 = 20" 90 = 30"	2 = 1/4" 3 = 3/8" 4 = 1/2" 6 = 3/4" 8 = 1"	Blank = None 316 = 316L		Blank = None BSP = BSP threads 1F = 1" Flange+ 1TC = 1" Ferrules+ Vent = Vent Screw++ GP4 = 1/4" Gauge Ports++ BR = Bracket Kit TH = Tee Handle 10 = 10" Cartridge Length 195 = 19 1/2" Cartridge Length 294 = 29 1/4" Cartridge Length Vent = Vent Screw++		B = Buna N (Standard) E = EPR S = Silicone V = Viton T = Teflon N = Neoprene Vell = Vellumoid

* Available in 10", 19 1/2" and 29 1/4" length - see options in ordering guide

+ Available only in FOS stainless steel series

** Available only in FAC Series

++ When ordering vents or gauge ports, specify location : I = Inlet, O = Outlet, I/O = Inlet and Outlet. Example = GP4I/O

Customization

Housings may be customized to meet your precise requirements. Contact Shelco's technical support staff or your distributor for more information.