

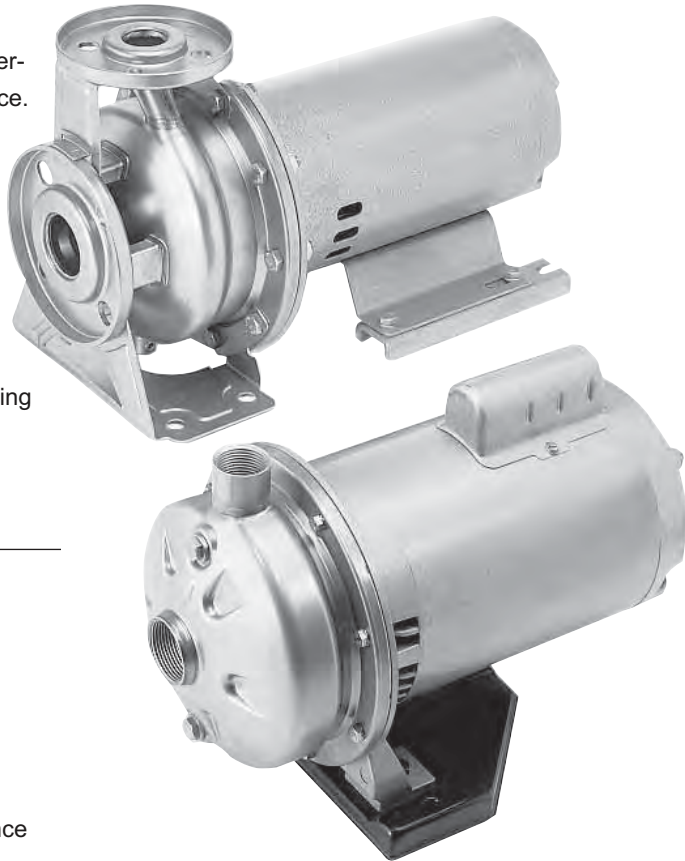
## TC & FC SERIES CENTRIFUGAL PUMPS

### Pro-Stainless Steel Series Centrifugal Pumps

The **Webtrol Pro-Stainless Steel Series Centrifugal** are designed for dependable performance and rugged continuous duty service.

When you need a corrosion and erosion resistant pump, the Pro-Stainless Steel Centrifugal line of pumps from Webtrol is your logical choice.

These pumps are guaranteed tough, engineered for the professional and built for lasting performance and value.



#### Features And Benefits

- **Close Coupled** design saves space and simplifies maintenance and installation.
- **Centerline Discharge** ensures maximum resistance to misalignment and distortion caused by the piping connections.
- **Back Pullout** design allows for maintenance of impeller and mechanical seal without removal of suction/discharge piping.
- **High Operating Efficiencies** over a wide range of capacities which lowers operating cost.
- **Mechanical Seals** and case o-rings are of high quality materials for standard pumping requirements. Optional high temperature and chemical resistant are available.

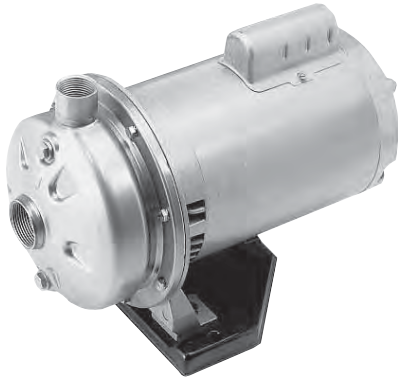
#### Performance

Capacities to 600 GPM  
Pressures to 120 PSI

#### Typical Services

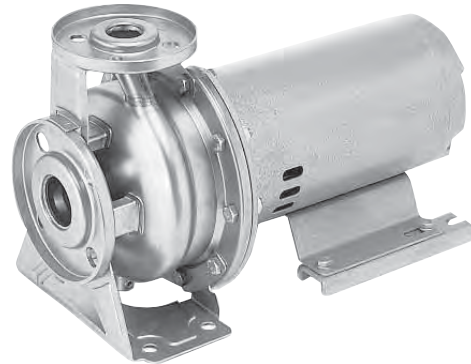
- |                             |                   |
|-----------------------------|-------------------|
| • Pressure Boosting         | • Parts Washers   |
| • Ultrapure Water Systems   | • Cooling Towers  |
| • Deionized Systems         | • Jockey Pump     |
| • Distribution Systems      | • Liquid Transfer |
| • Pharmaceutical Services   | • Heat Exchangers |
| • Water Reclamation         | • Car Wash        |
| • Sprinkler And Irrigation  | • Spray systems   |
| • General Pump Applications | • Scrubbers       |
| • Beverage Processing       | • Poultry         |

## TC & FC STAINLESS STEEL CENTRIFUGAL SPECIFICATIONS



### TC Models

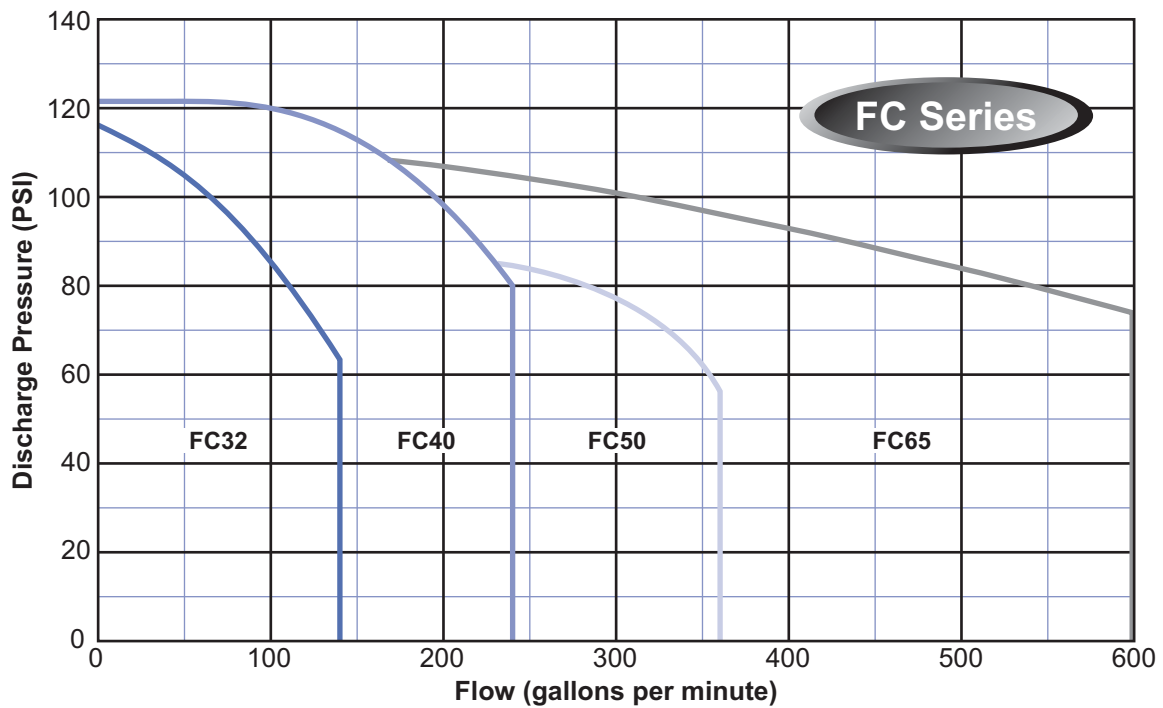
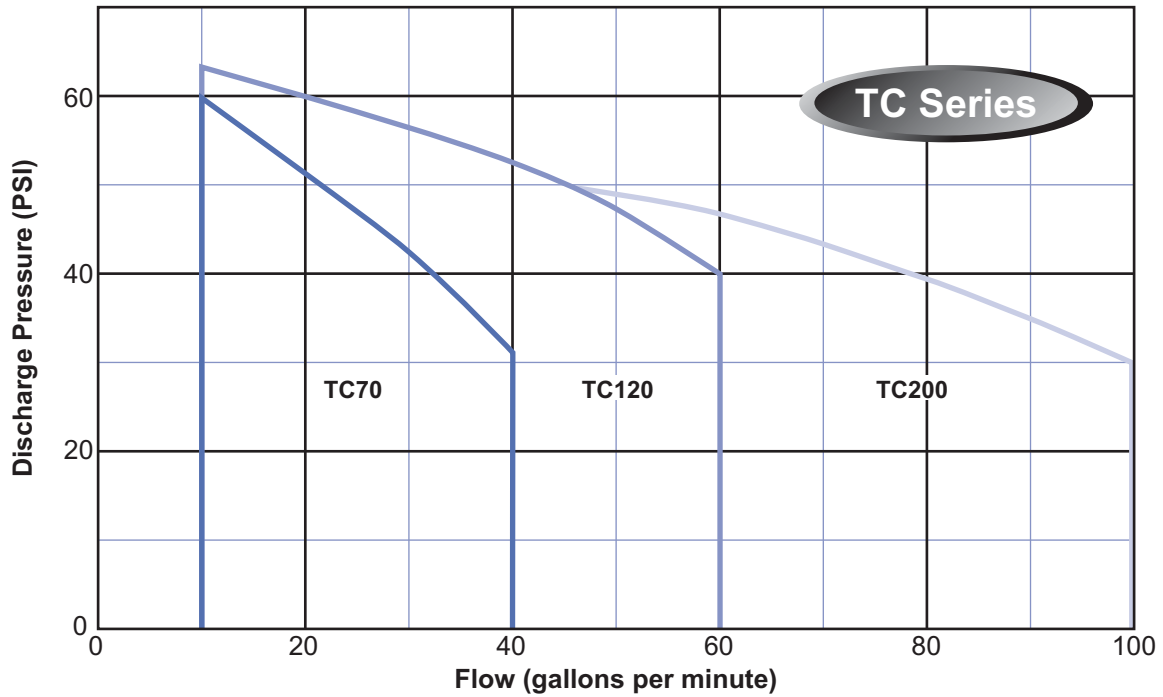
<b>Size:</b>	Suction	TC70 .....1 1/4" NPT
		TC120 .....1 1/4" NPT
		TC200 .....1 1/2" NPT
	Discharge	All TC Models .....1" NPT
<b>HP Range:</b>		1/2 HP to 1 1/2 HP - 1750 RPM 3/4 HP to 3 HP - 3450 RPM
<b>Performance:</b>		Capacity - 5.5 GPM to 90 GPM Discharge - 8 PSI to 63 PSI Liquid - clean water Liquid Temp. - 212°F (250°F opt.) Max. Working Pressure - 125 PSI
<b>Materials:</b>		Casing - 304L Stainless Impeller - 304L Stainless Shaft - Stainless Mechanical Seal - Type 21
<b>Motor:</b>		NEMA 56J frame / 60 Hz Built in overload protection (single phase models)



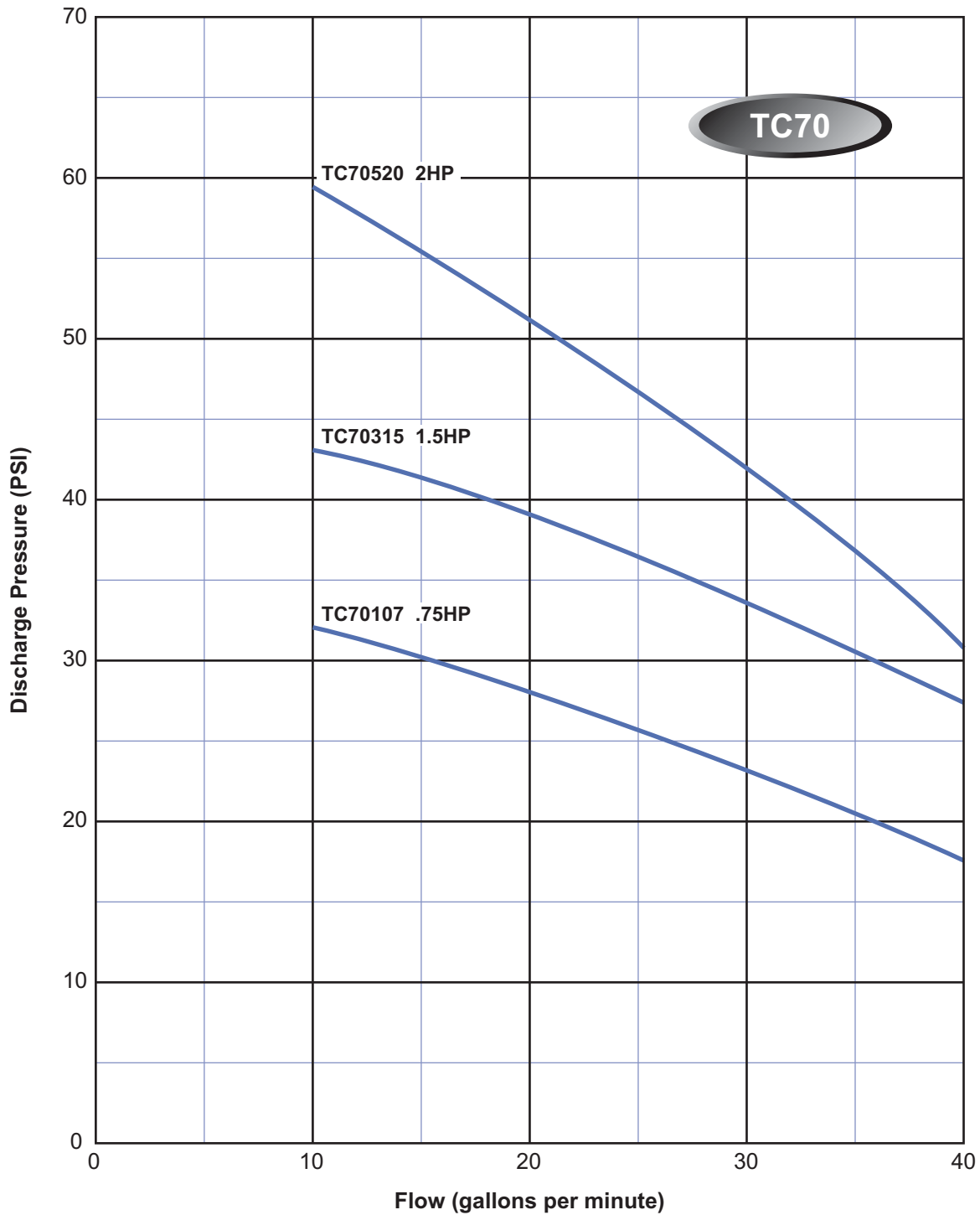
### FC Models

<b>Size:</b>	Suction	FC32 .....2" ANSI
	150 lb. ANSI	FC40 .....2 1/2" ANSI
		FC50 .....2 1/2" ANSI
		FC65 .....3" ANSI
	Discharge	FC32 .....1 1/4" ANSI
150 lb. ANSI	FC40 .....1 1/2" ANSI	
	FC50 .....2" ANSI	
	FC65 .....2 1/2" ANSI	
<b>HP Range:</b>		1 HP to 2 HP - 1750 RPM 3 HP to 30 HP - 3450 RPM
<b>Performance:</b>		Capacity - 13 GPM to 600 GPM Discharge - 6 PSI to 120 PSI Liquid - clean water Liquid Temp. - 212°F (250°F opt.) Max. Working Pressure - 230 PSI
<b>Materials:</b>		Casing - 304L Stainless Impeller - 304L Stainless Shaft - Stainless Mechanical Seal - Type 21
<b>Motor:</b>		NEMA JM, TC, TSC frame / 60 Hz

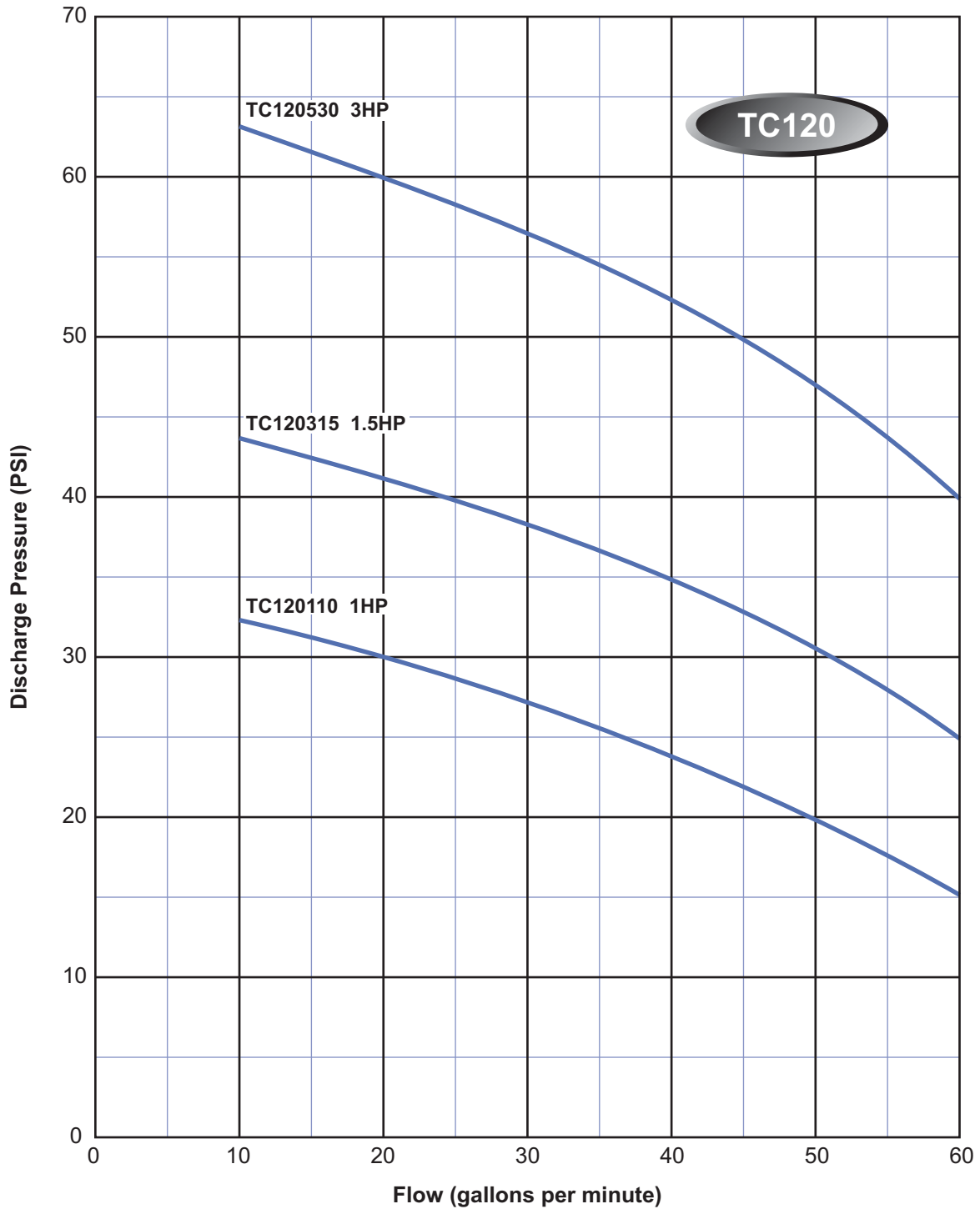
## TC & FC SERIES FAMILY CURVES



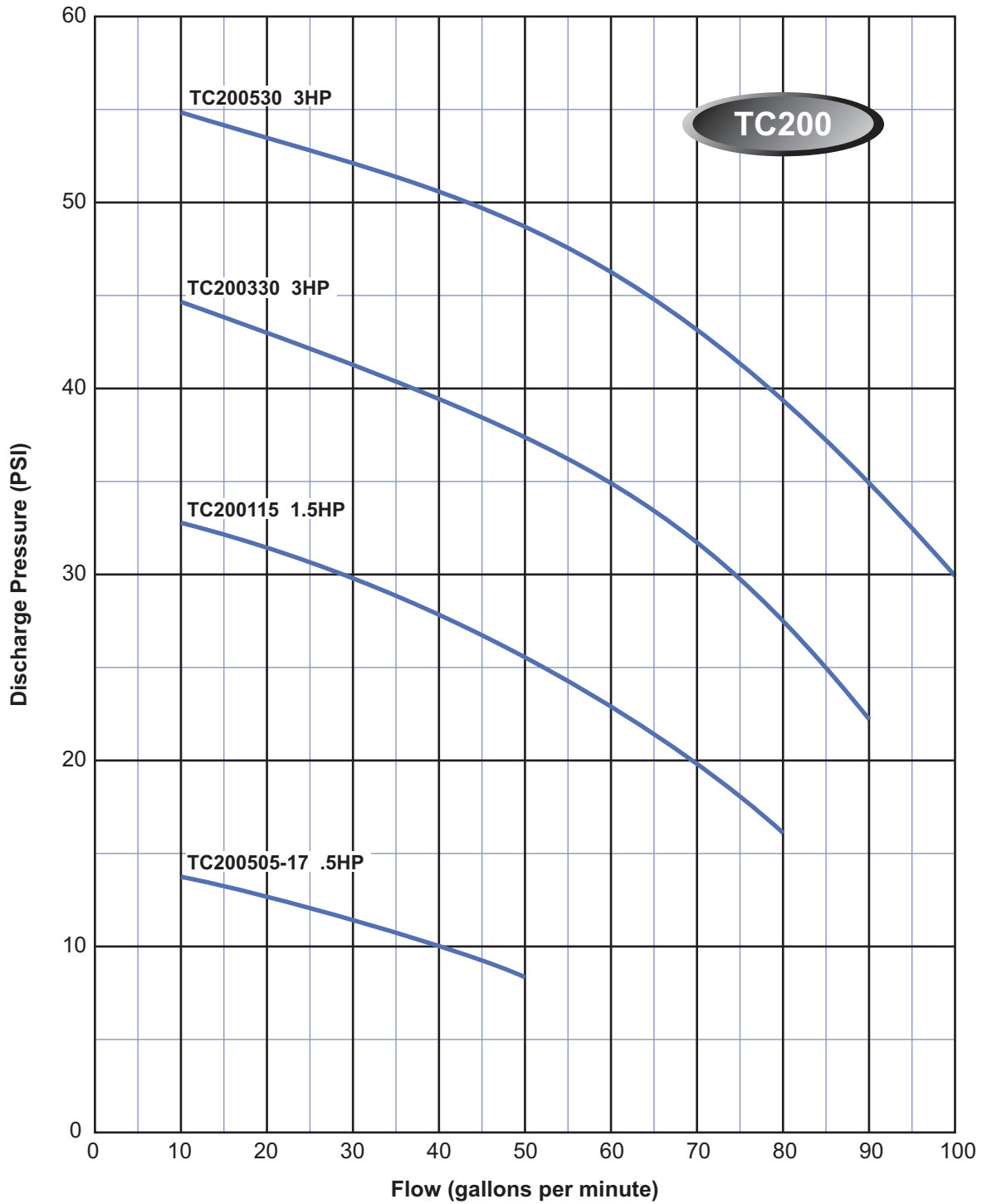
## TC70 SERIES GROUP CURVES



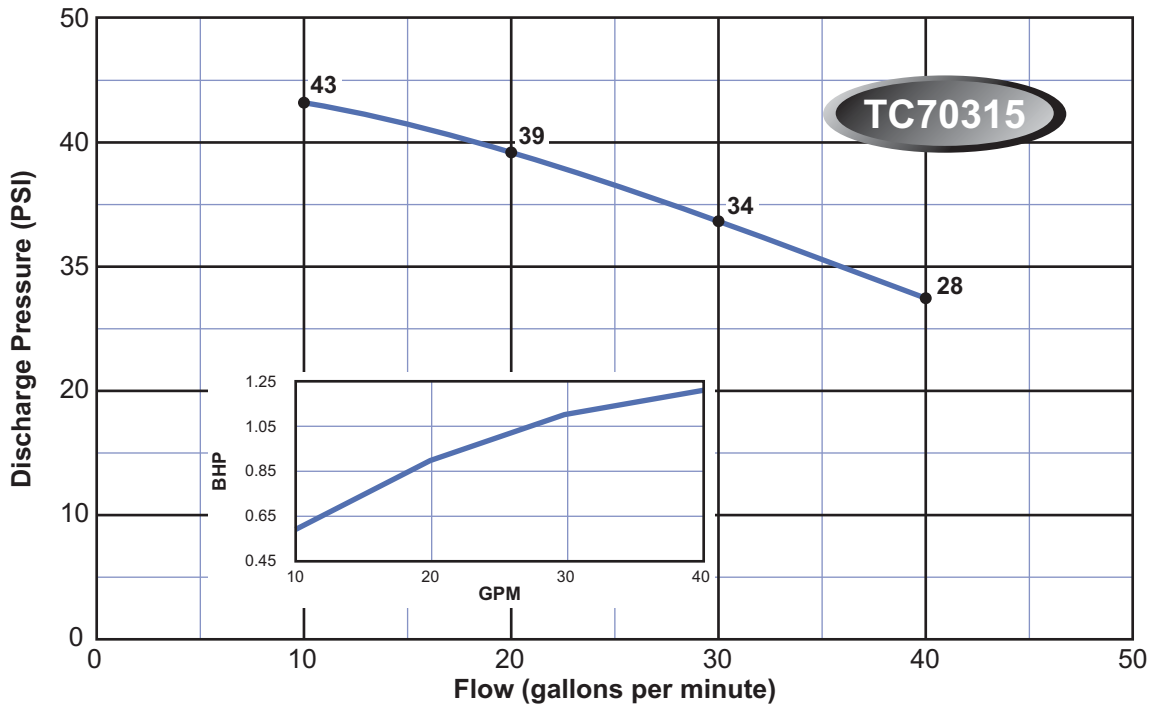
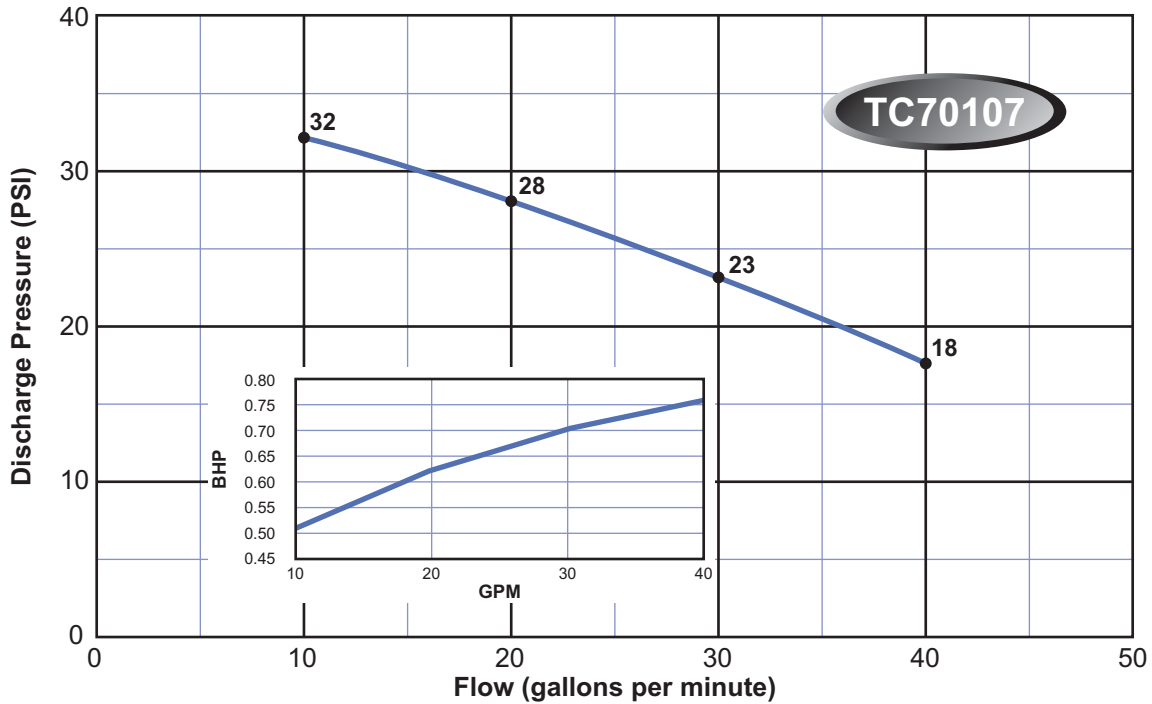
## TC120 SERIES GROUP CURVES



## TC200 SERIES GROUP CURVES



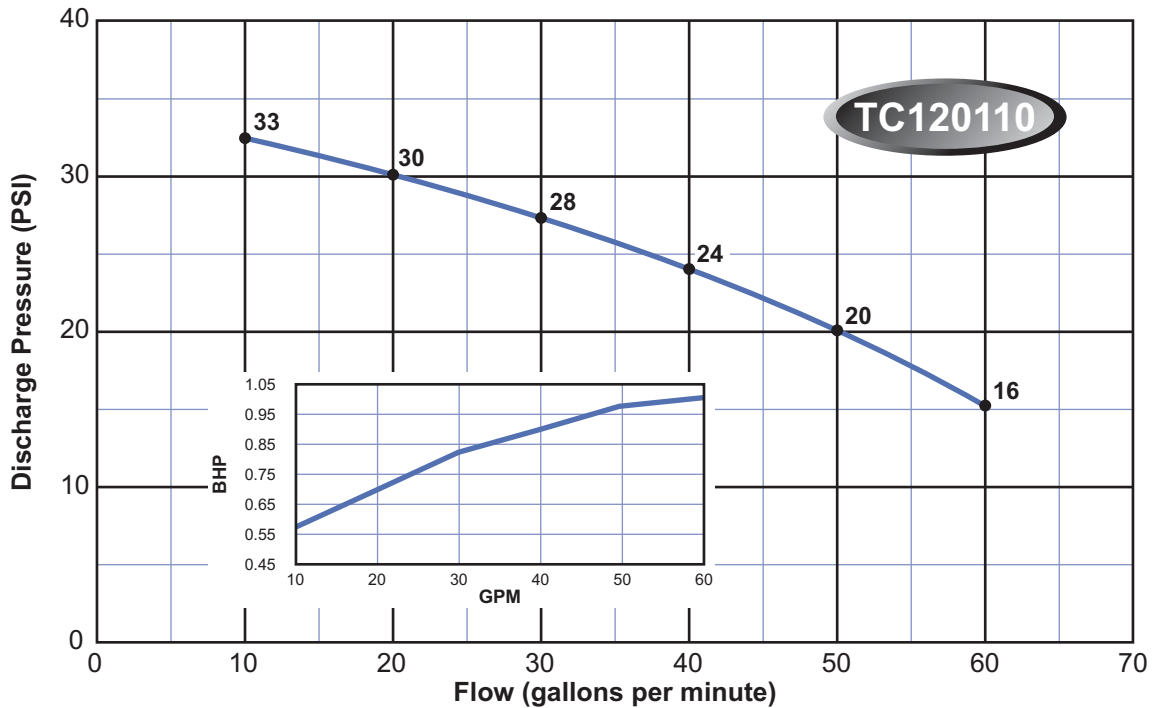
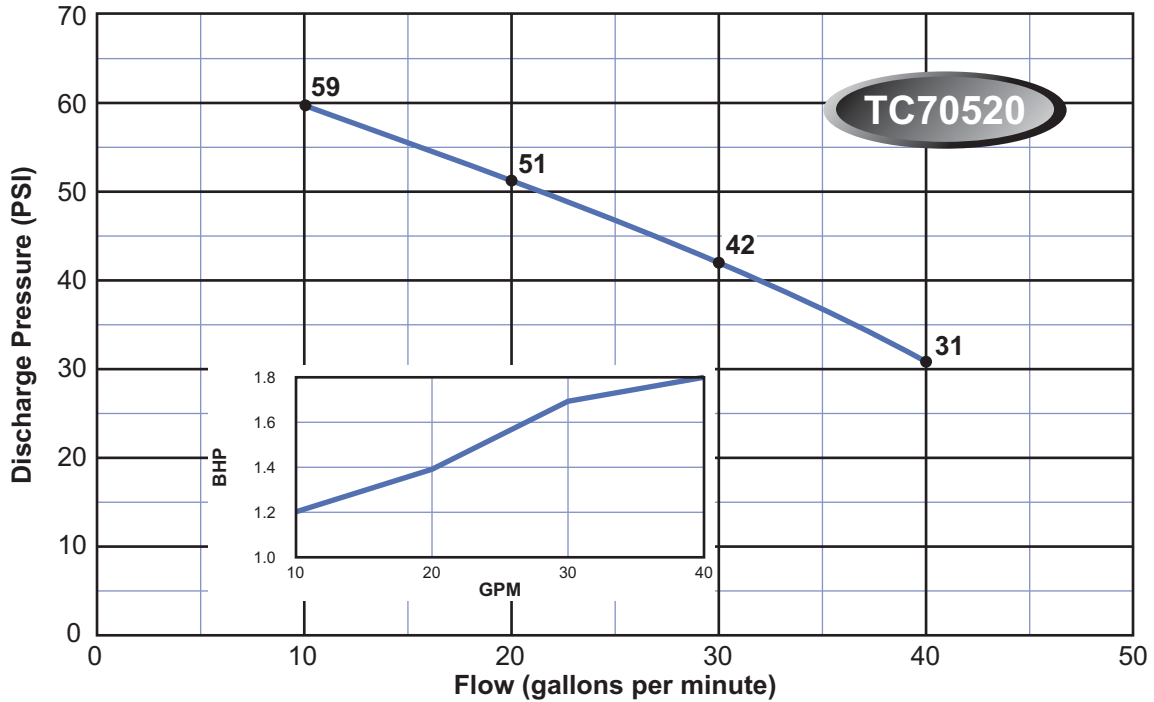
## STAINLESS STEEL CENTRIFUGAL CURVES - TC Series



**Note:**

Curves are based on 60 Hz 3450 rpm motors. 50 Hz 2875 rpm curves are available. These curves are for general guidance only, individual pump curves are available upon request. A certified curve may be requested for an additional cost. Webtrol will build pumps to fit your specific needs, contact factory for pricing.

## STAINLESS STEEL CENTRIFUGAL CURVES - TC Series

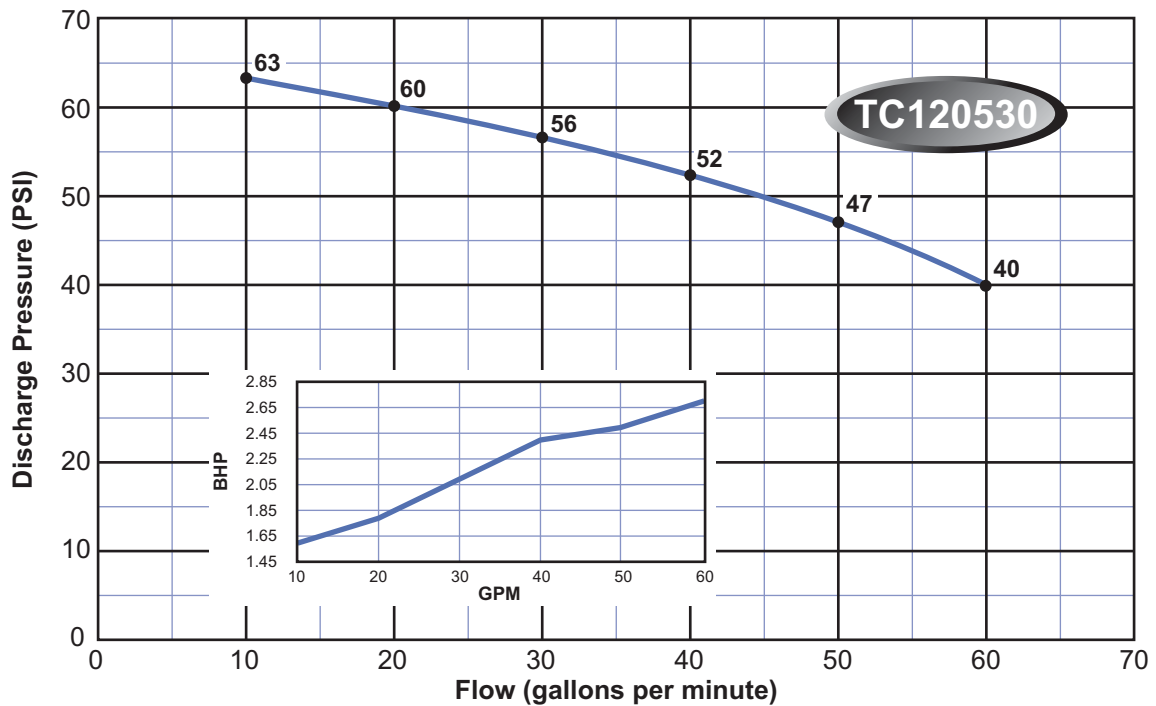
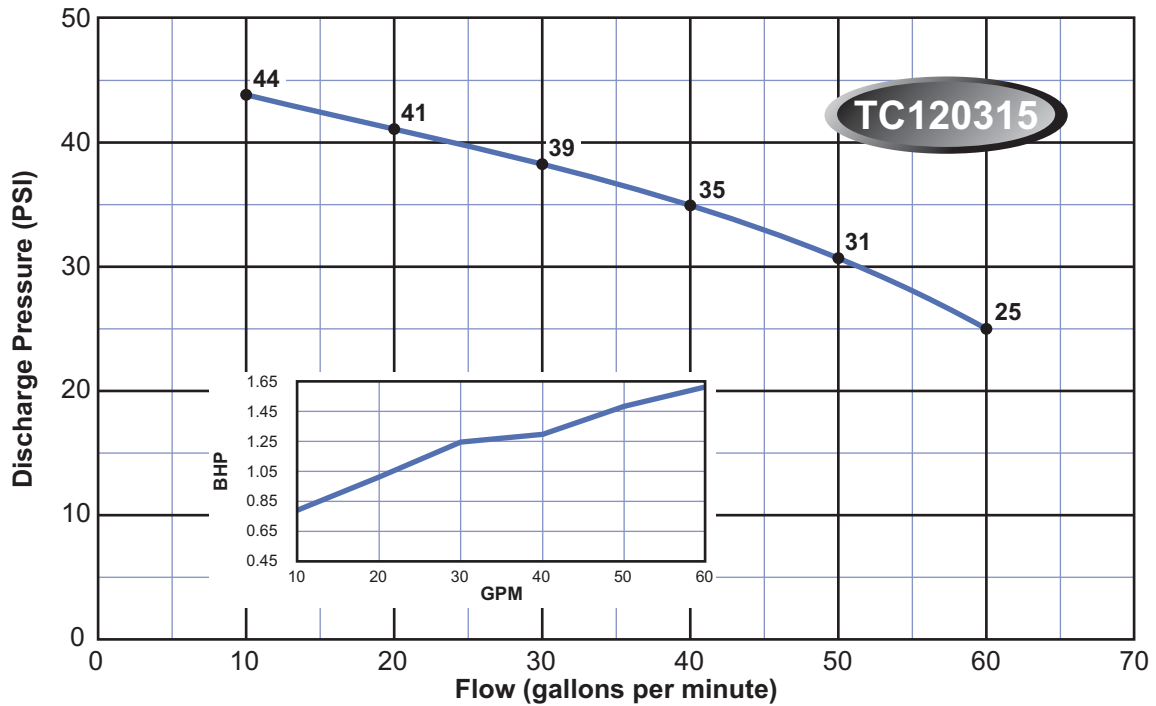


**Note:**

Curves are based on 60 Hz 3450 rpm motors. 50 Hz 2875 rpm curves are available. These curves are for general guidance only, individual pump curves are available upon request. A certified curve may be requested for an additional cost. Webtrol will build pumps to fit your specific needs, contact factory for pricing.



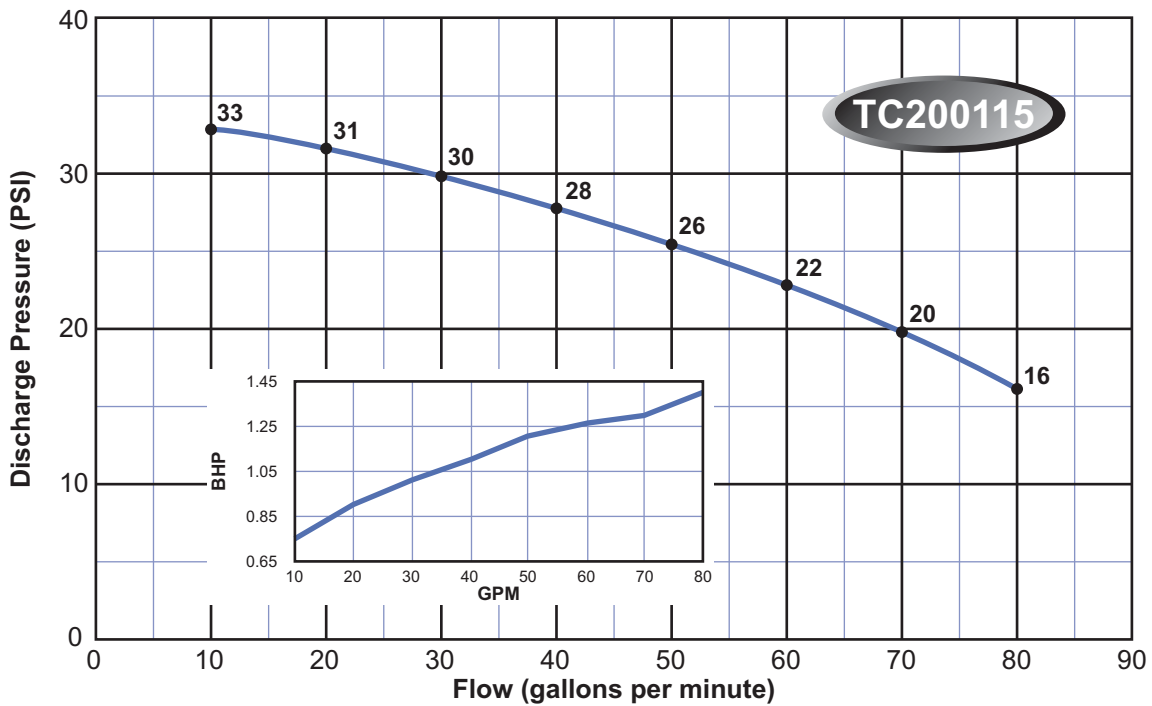
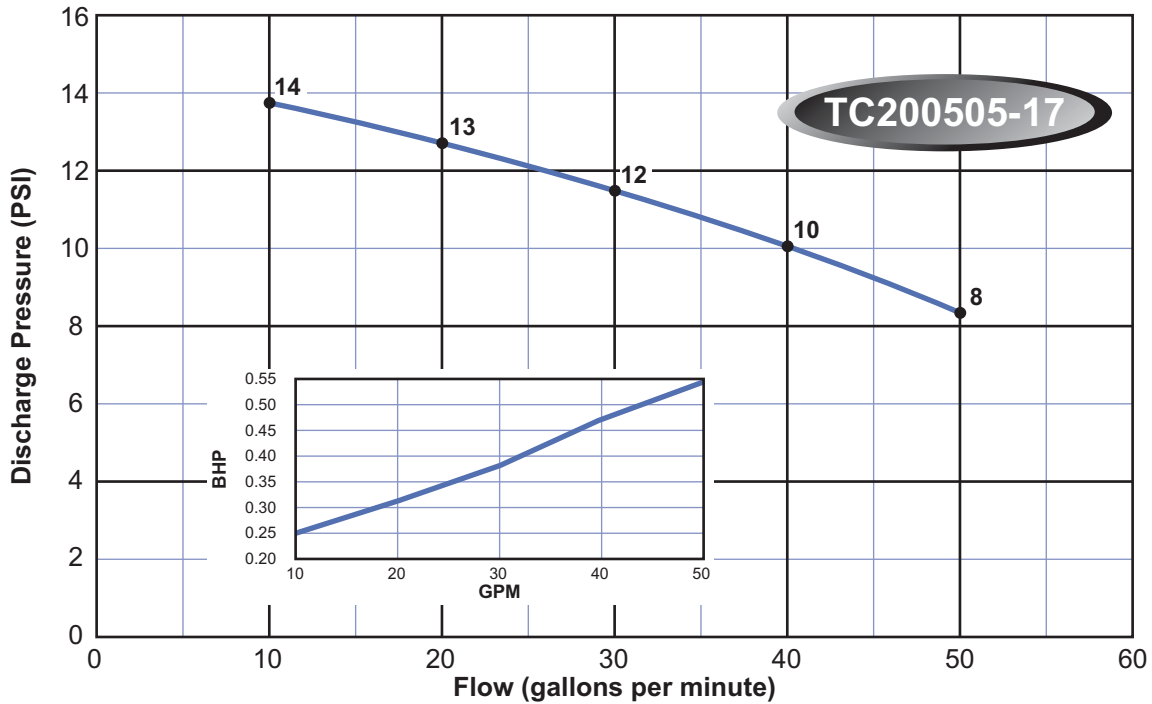
## STAINLESS STEEL CENTRIFUGAL CURVES - TC Series



**Note:**

Curves are based on 60 Hz 3450 rpm motors. 50 Hz 2875 rpm curves are available. These curves are for general guidance only, individual pump curves are available upon request. A certified curve may be requested for an additional cost. Webtrol will build pumps to fit your specific needs, contact factory for pricing.

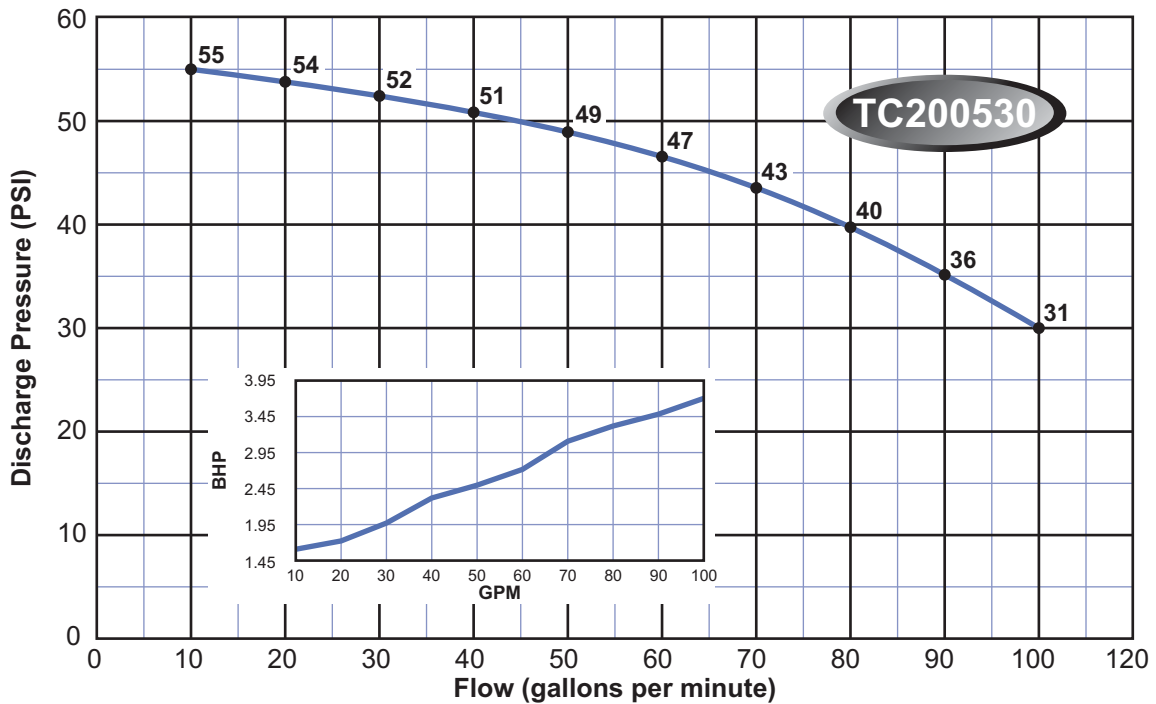
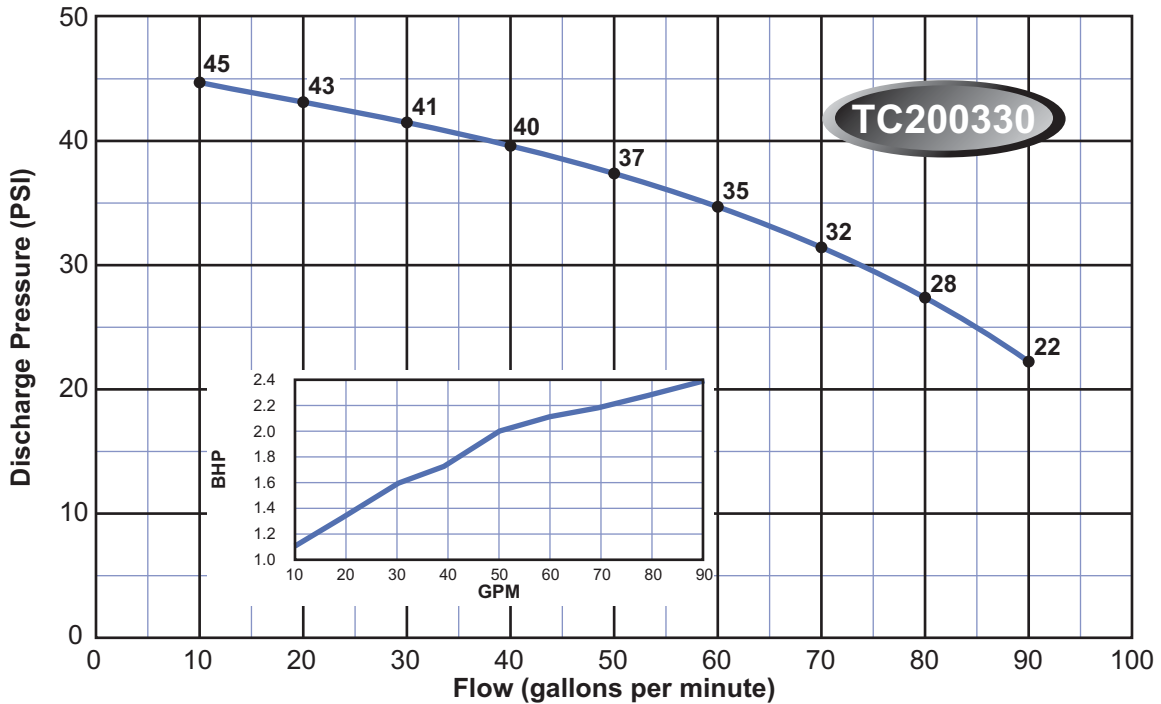
## STAINLESS STEEL CENTRIFUGAL CURVES - TC Series



**Note:**

Curves are based on 60 Hz 3450 rpm motors. 50 Hz 2875 rpm curves are available. These curves are for general guidance only, individual pump curves are available upon request. A certified curve may be requested for an additional cost. Webtrol will build pumps to fit your specific needs, contact factory for pricing.

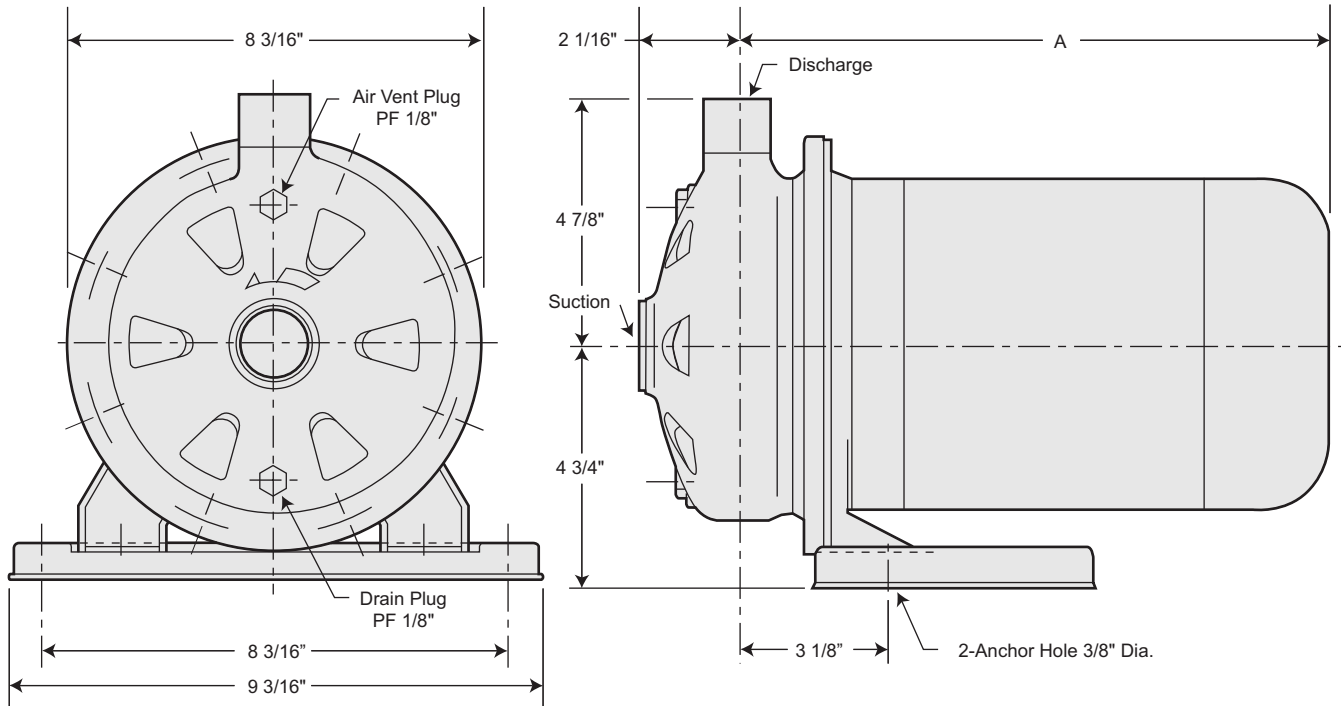
## STAINLESS STEEL CENTRIFUGAL CURVES - TC Series



**Note:**

Curves are based on 60 Hz 3450 rpm motors. 50 Hz 2875 rpm curves are available. These curves are for general guidance only, individual pump curves are available upon request. A certified curve may be requested for an additional cost. Webtrol will build pumps to fit your specific needs, contact factory for pricing.

## STAINLESS STEEL CENTRIFUGAL PUMP Dimensions For TC Series



Model No.	Discharge / Suction / Imp. (inch-NPTF)	"A" Dimension	Single Phase Unit Weight (lbs.)		Three Phase Unit Weight (lbs.)	
			ODP	TEFC	ODP	TEFC
TC70107	1" X 1 1/4" X 4 1/2"	13 1/8"	36	41	31	31
TC70315	1" x 1 1/4" X 5 3/16"	13 9/16"	47	50	39	39
TC70520	1" X 1 1/4" X 6 3/16"	14 7/16"	51	58	44	48
TC120110	1" X 1 1/4" X 4 1/2"	13 9/16"	41	46	33	32
TC120315	1" X 1 1/4" X 5 3/16"	13 9/16"	47	50	39	39
TC120530	1" X 1 1/4" X 6 3/16"	14 7/16"	59	66	51	60
TC200115	1" X 1 1/2" x 4 1/2"	13 9/16"	47	50	39	39
TC200330	1" X 1 1/2" X 5 3/16"	14 7/16"	58	65	50	59
TC200530	1" X 1 1/2" X 6 3/16"	14 7/16"	58	65	50	59